



Installation instructions, accessories

Volvo Car Corporation Gothenburg, Sweden

Instruction No	Version	Part. No.
31408249	1.0	31373092

Parking assistance, front



Installation instructions, accessories

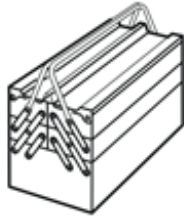
Volvo Car Corporation Gothenburg, Sweden

Materials

Designation	Part number
Electrical tape	

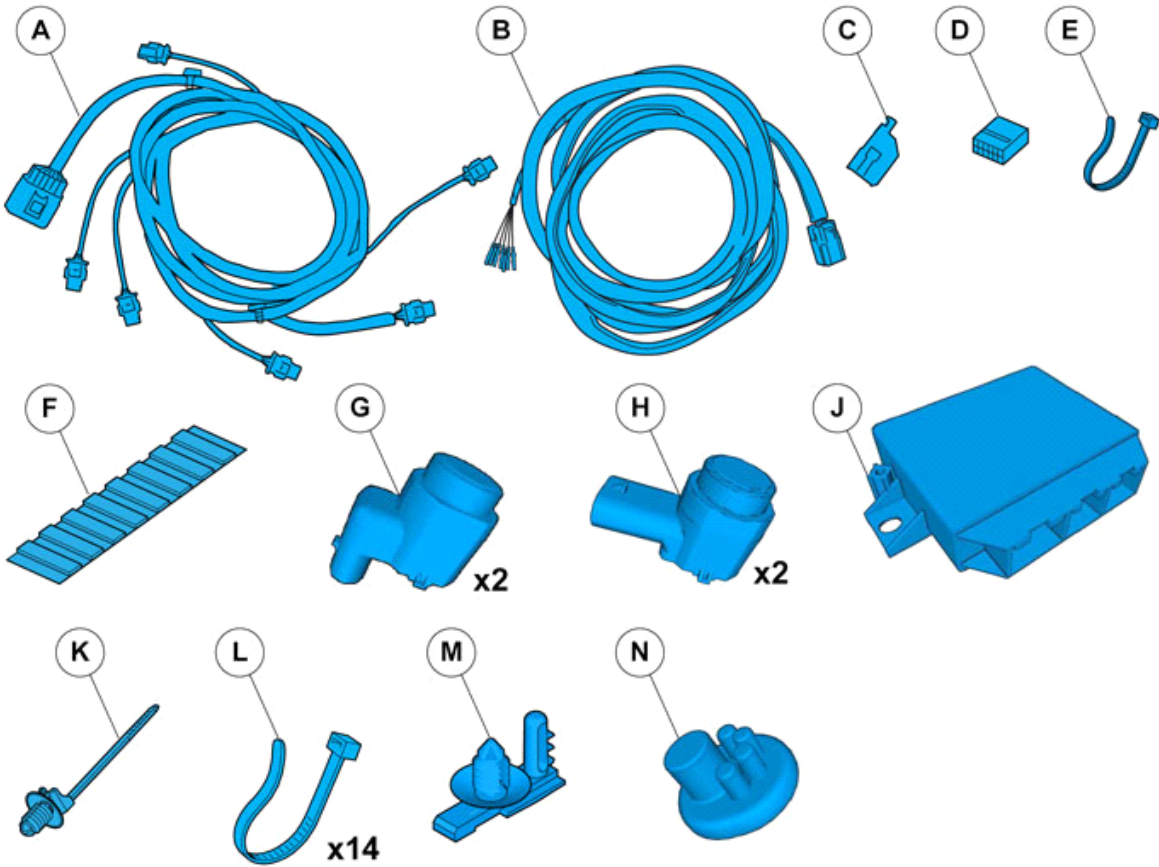
Equipment

VIDA



IMG-242205

A0000162

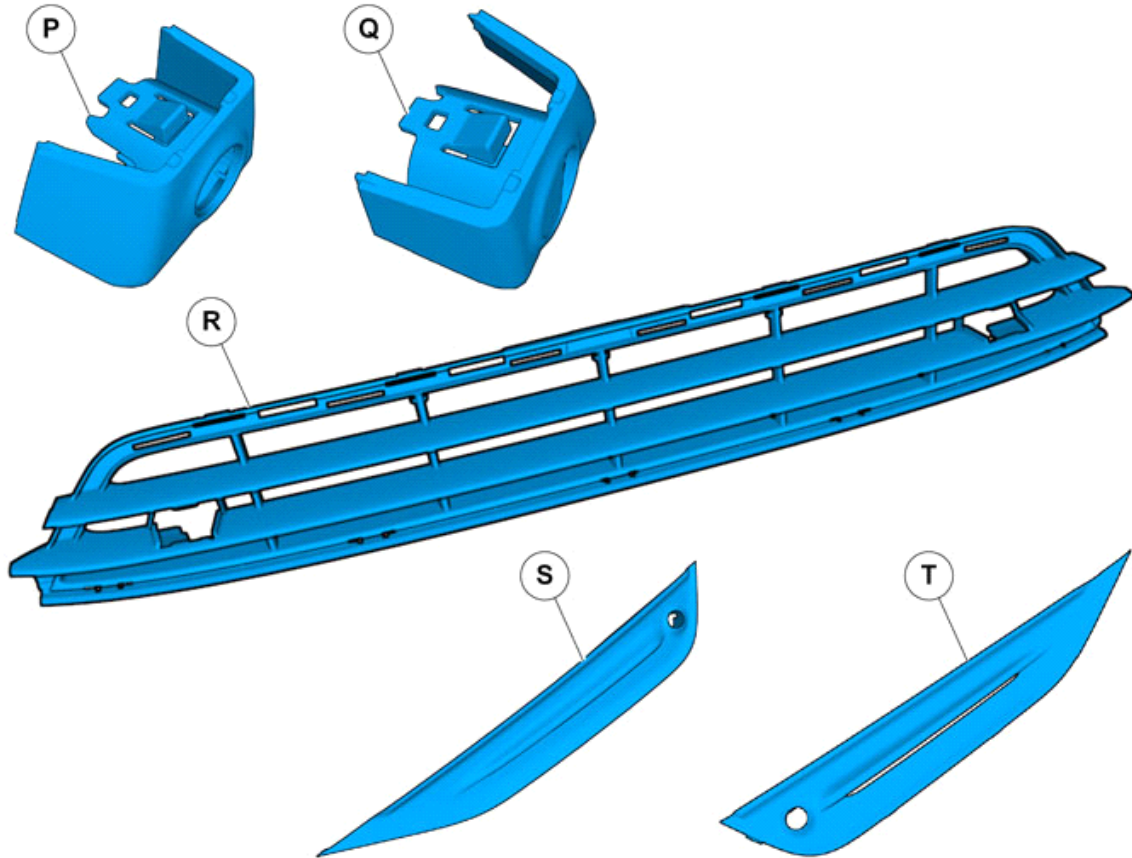


IMG-378025



Installation instructions, accessories

Volvo Car Corporation Gothenburg, Sweden



IMG-378261



Installation instructions, accessories

Volvo Car Corporation Gothenburg, Sweden

36630-2

Parking assistance, front, R-design

Information

1

Read through all of the instructions before starting installation.

Notifications and warning texts are for your safety and to minimise the risk of something breaking during installation.

Ensure that all tools stated in the instructions are available before starting installation.

Certain steps in the instructions are only presented in the form of images. Explanatory text is also given for more complicated steps.

In the event of any problems with the instructions or the accessory, contact your local Volvo dealer.

Further information

2

These installation instructions show installation on left hand drive cars.

When installing on right-hand drive cars, perform the procedures on the opposite side and/or mirrored.

Where the procedure differs, the right-hand version is also shown with text and image.

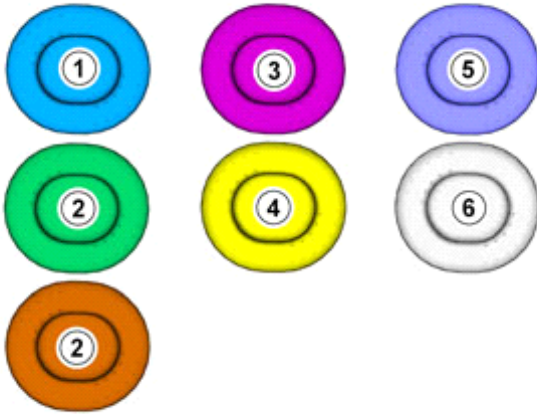
Color symbols



Installation instructions, accessories

Volvo Car Corporation Gothenburg, Sweden

3



IMG-363036

Note!

This colour chart displays (in colour print and electronic version) the importance of the different colours used in the images of the method steps.

1. Used for focused component, the component with which you will do something.
2. Used as extra colors when you need to show or differentiate additional parts.
3. Used for attachments that are to be removed/installed. May be screws, clips, connectors, etc.
4. Used when the component is not fully removed from the vehicle but only hung to the side.
5. Used for standard tools and special tools.
6. Used as background color for vehicle components.

Removal

4

Set the ignition key to position 0.



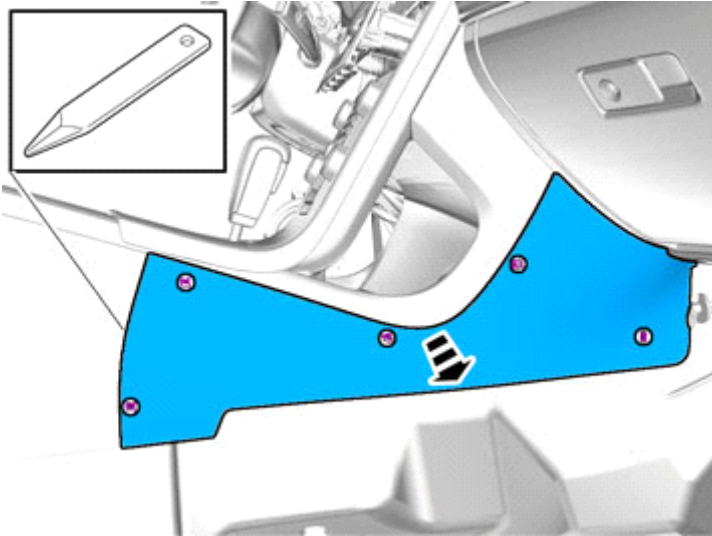
IMG-332193



Installation instructions, accessories

Volvo Car Corporation Gothenburg, Sweden

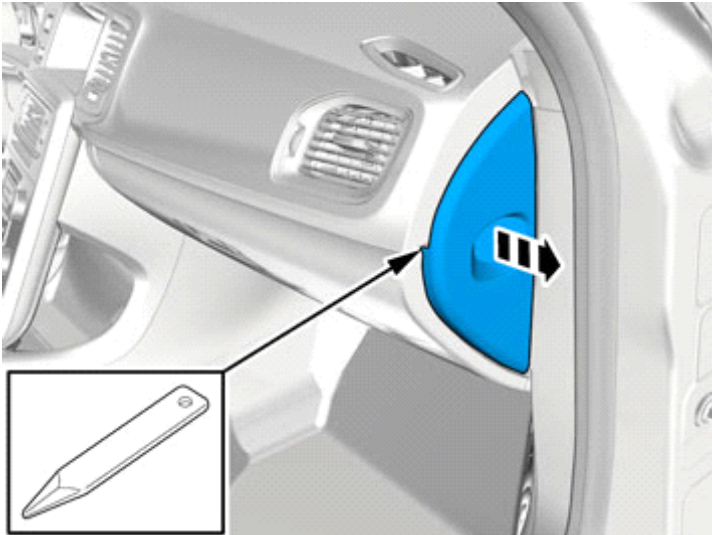
5



Remove the panel.

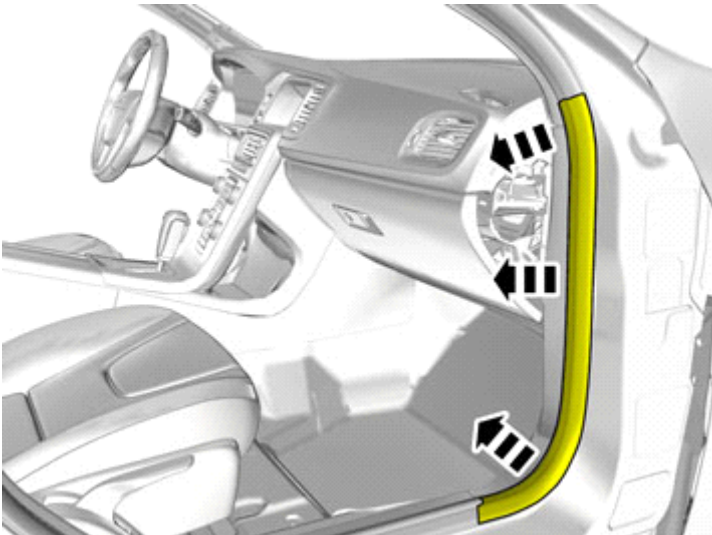
IMG-340600

6



IMG-344926

7



Remove the weatherstrip.

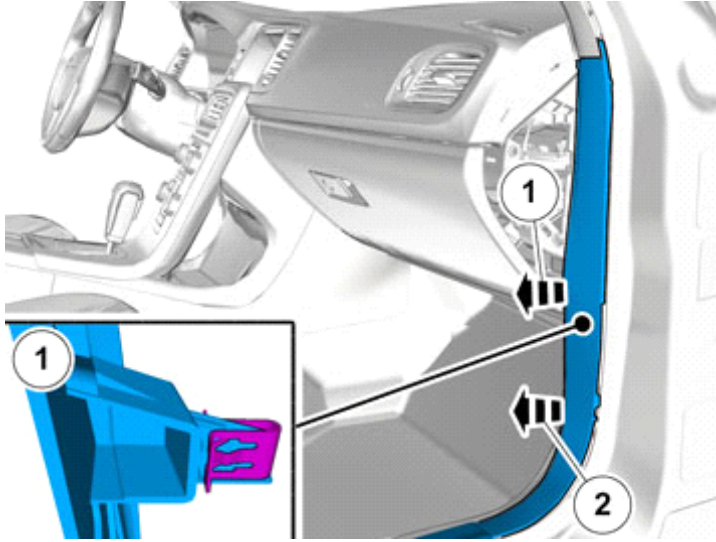
IMG-344927



Installation instructions, accessories

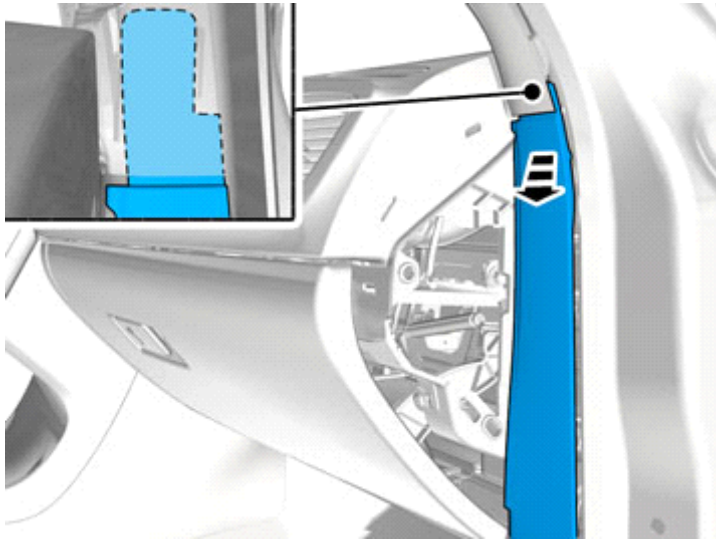
Volvo Car Corporation Gothenburg, Sweden

8



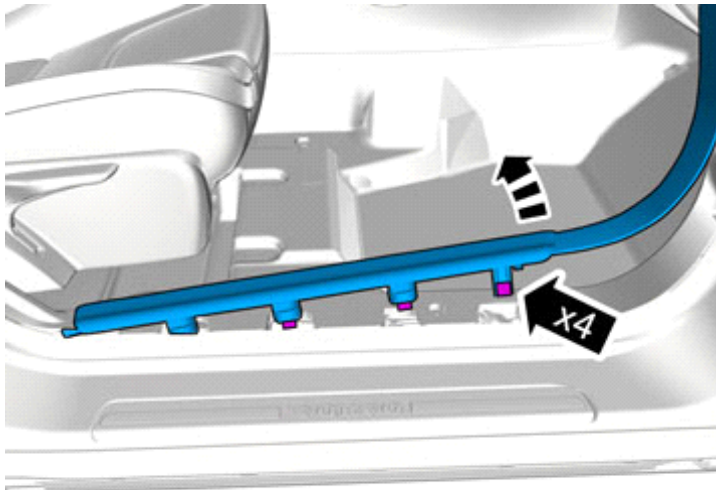
IMG-344928

9



IMG-344929

10



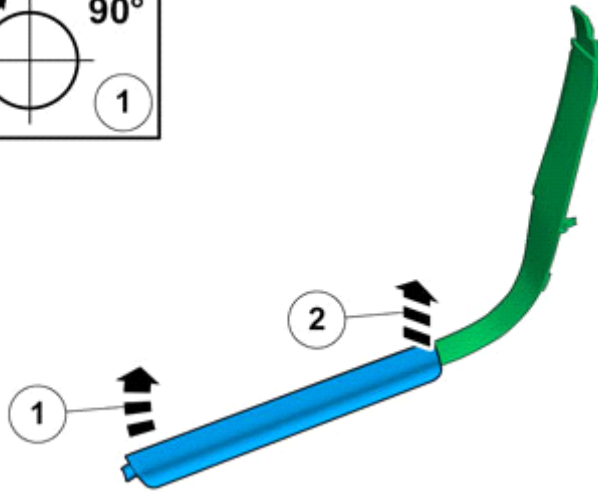
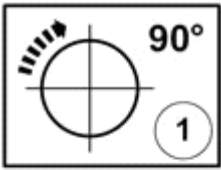
IMG-344930



Installation instructions, accessories

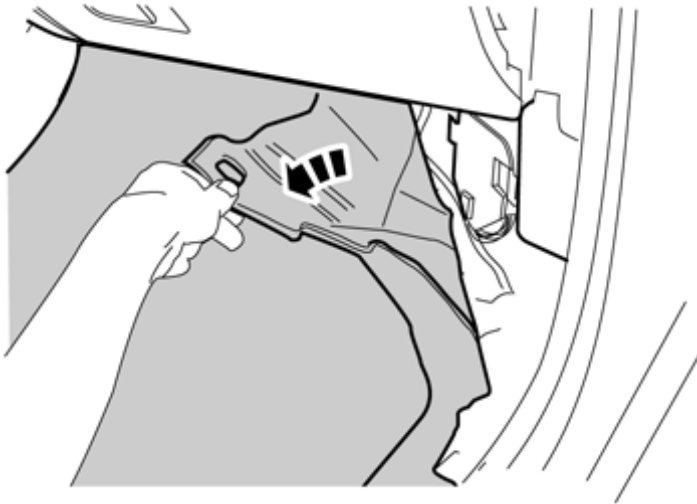
Volvo Car Corporation Gothenburg, Sweden

11



IMG-344451

12



Fold the carpet to the side.

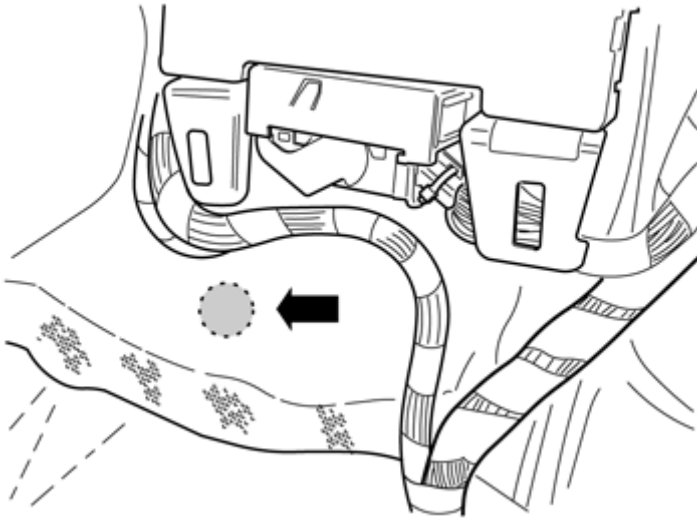
IMG-269484



Installation instructions, accessories

Volvo Car Corporation Gothenburg, Sweden

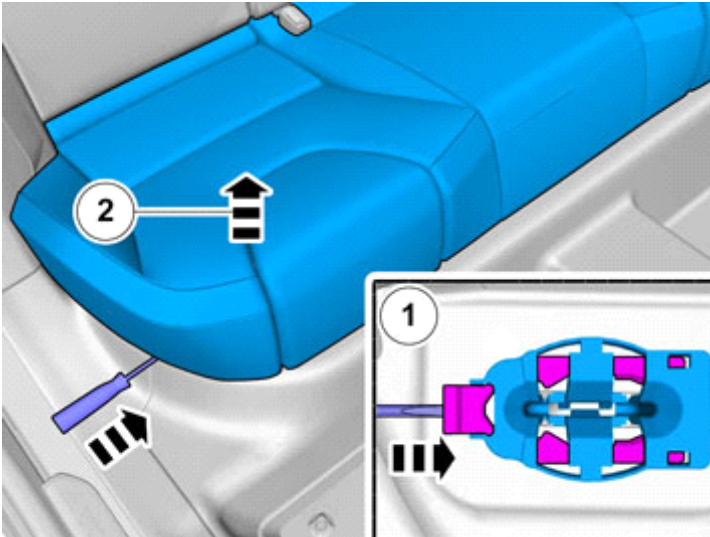
13



IMG-307603

Locate the rubber grommet under the insulation and press it out.

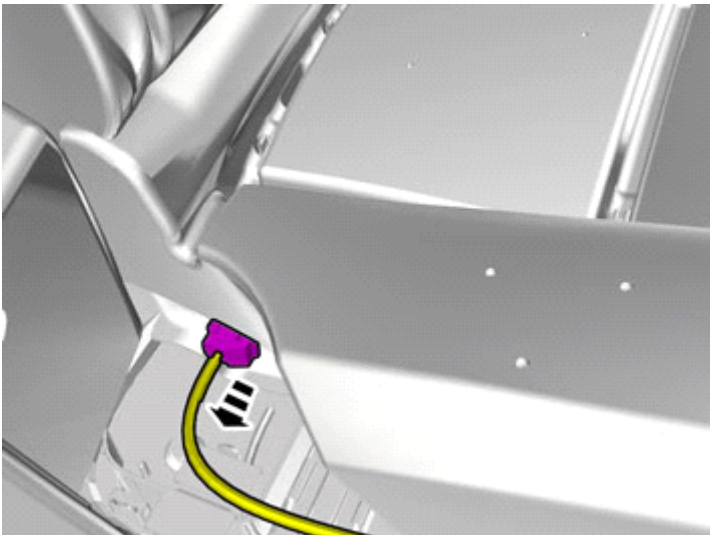
14



IMG-342372

Repeat on the other side.

15



IMG-341902

Disconnect the connector, if applicable.

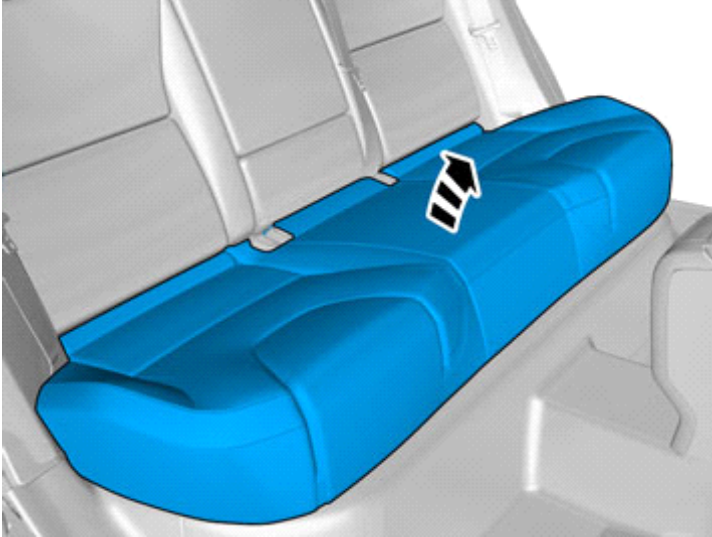
Repeat on the other side.



Installation instructions, accessories

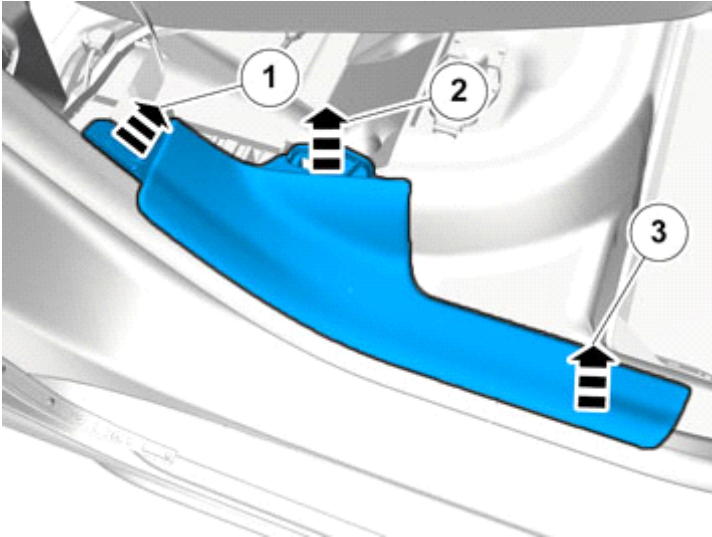
Volvo Car Corporation Gothenburg, Sweden

16



IMG-360124

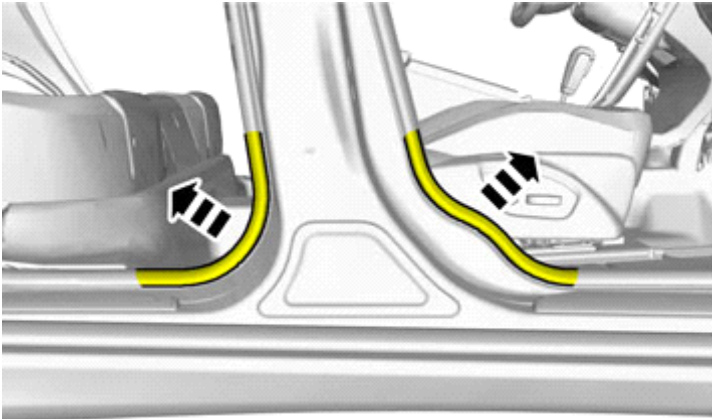
17



IMG-341906

Remove the panel.

18



Remove the weatherstrips.

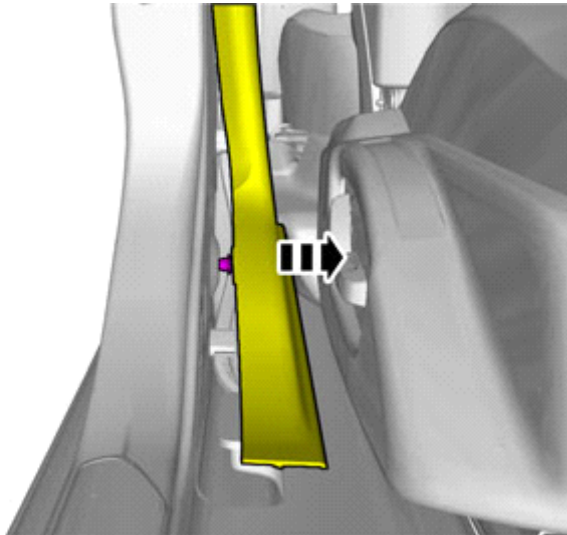
IMG-307605



Installation instructions, accessories

Volvo Car Corporation Gothenburg, Sweden

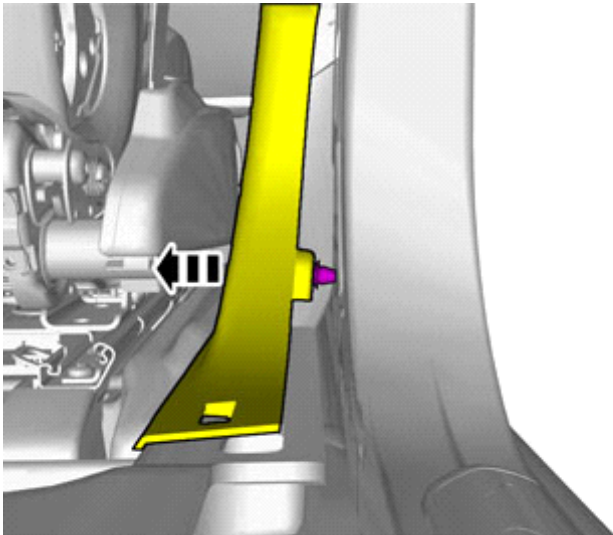
19



Detach the panel.

IMG-307606

20



Detach the panel.

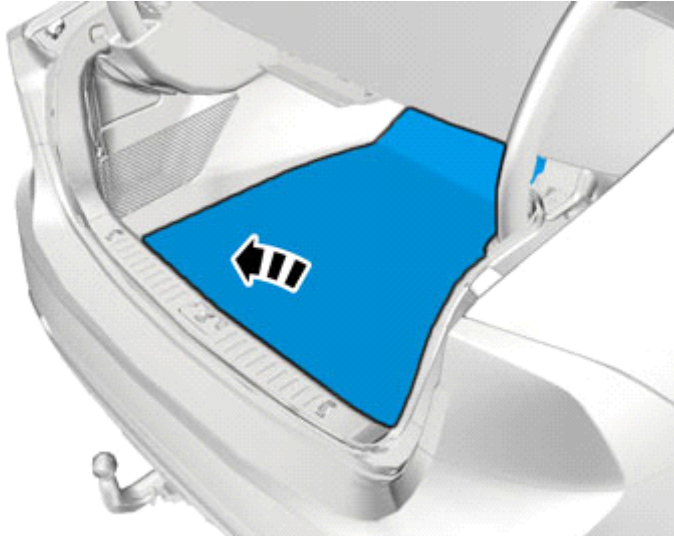
IMG-307607



Installation instructions, accessories

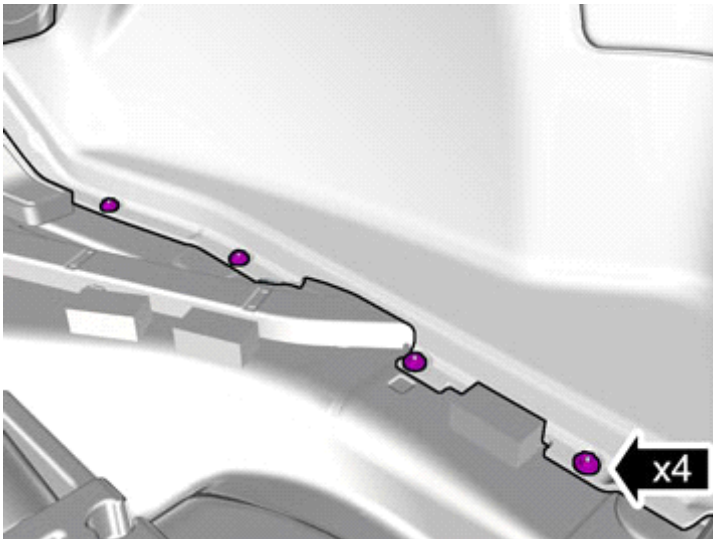
Volvo Car Corporation Gothenburg, Sweden

21



IMG-341907

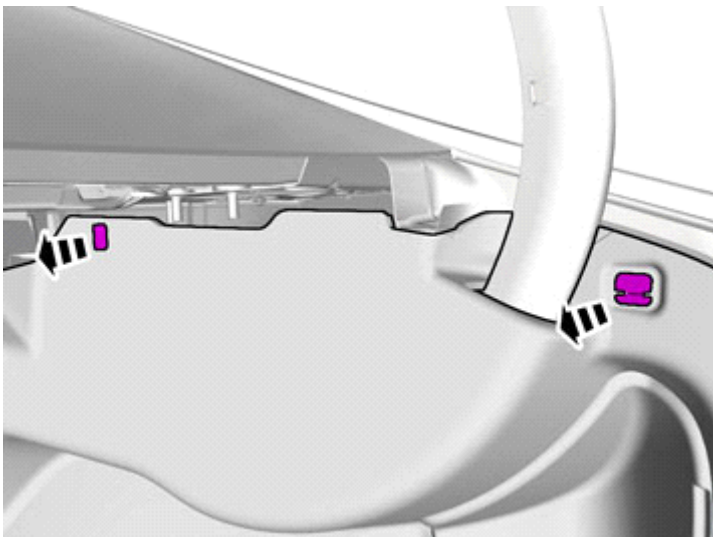
22



IMG-341908

Remove the nuts.

23



IMG-341910

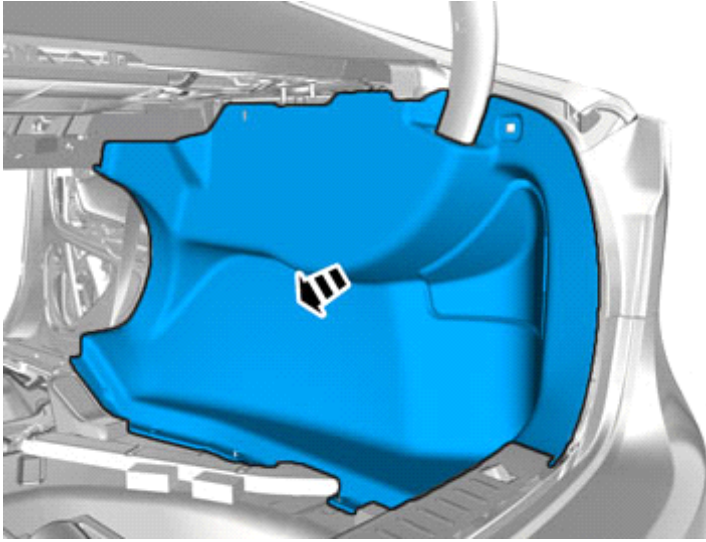
Remove the clips.



Installation instructions, accessories

Volvo Car Corporation Gothenburg, Sweden

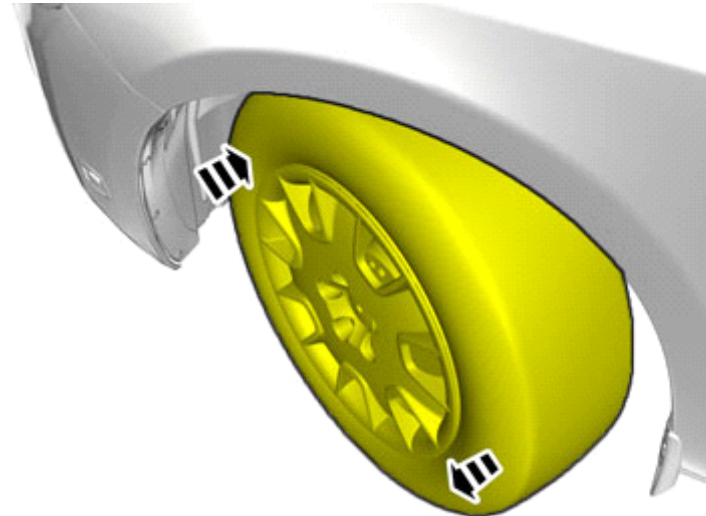
24



IMG-341909

Remove the panel.

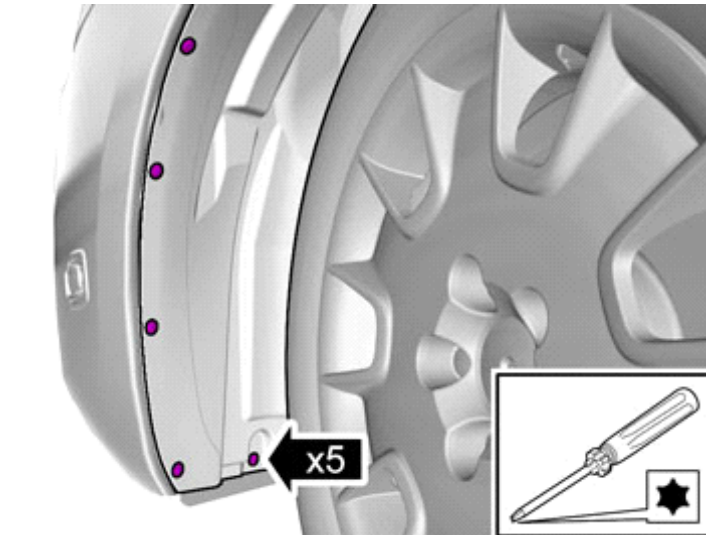
25



IMG-341912

Turn the wheel inwards.

26



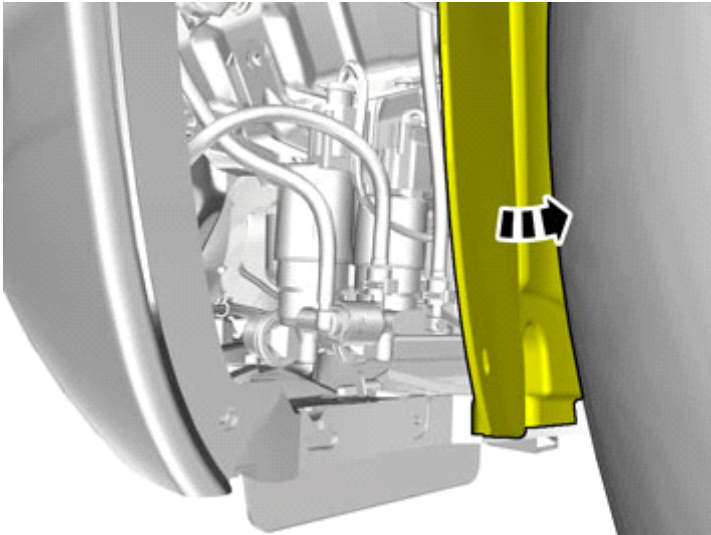
IMG-341913

Remove the screws.



Vehicles with headlamp washers

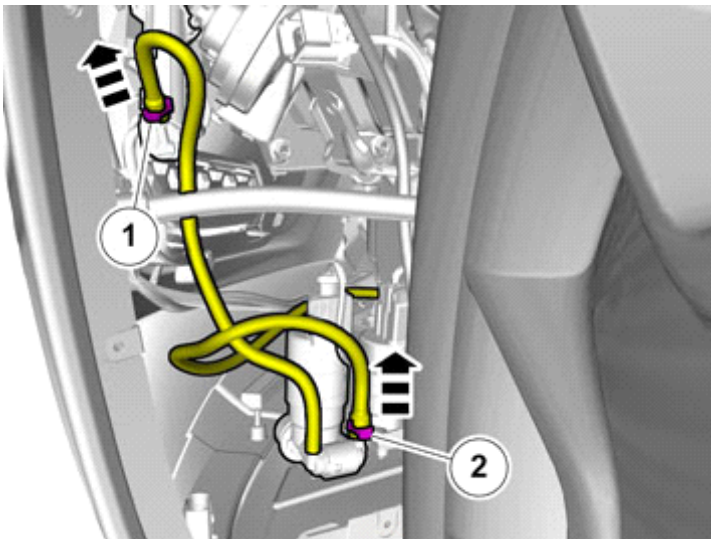
27



IMG-341914

Fold the wing liner to one side.

28



IMG-341915

Warning!

Be prepared to collect escaping fluid.

1.

Note!

Tape the hose high up on the washer fluid reservoir to prevent washer fluid from coming out.

2. Take a piece of washer hose. Tie a knot in it and place it on the washer pump to prevent the washer fluid reservoir from emptying.

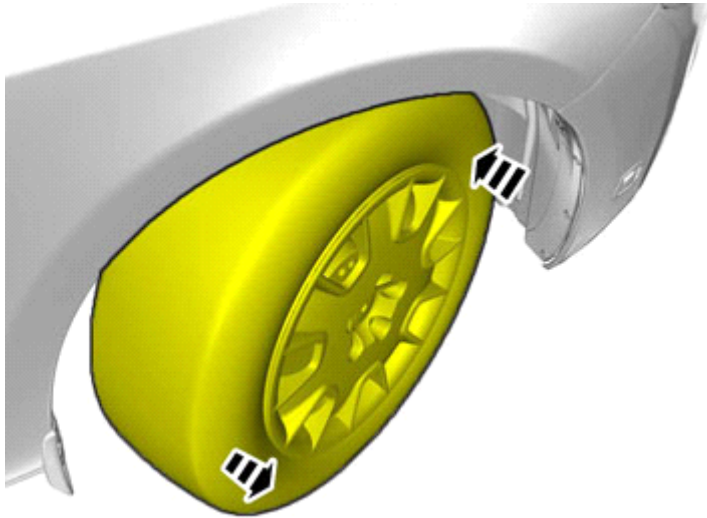
All vehicles



Installation instructions, accessories

Volvo Car Corporation Gothenburg, Sweden

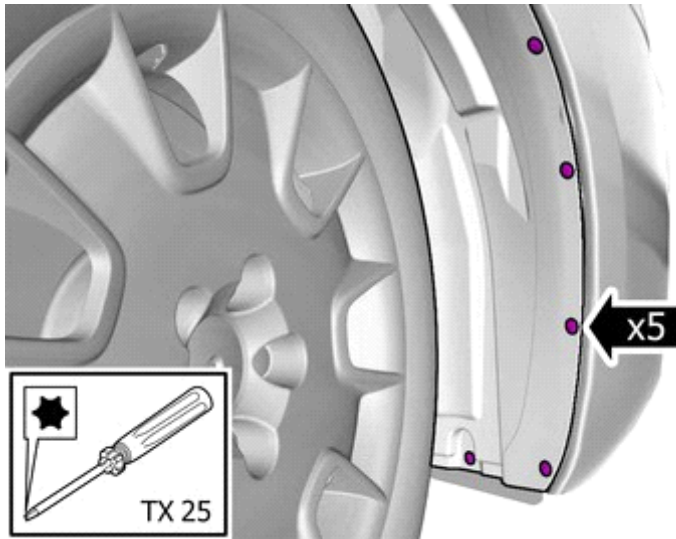
29



Turn the wheel inwards.

IMG-341916

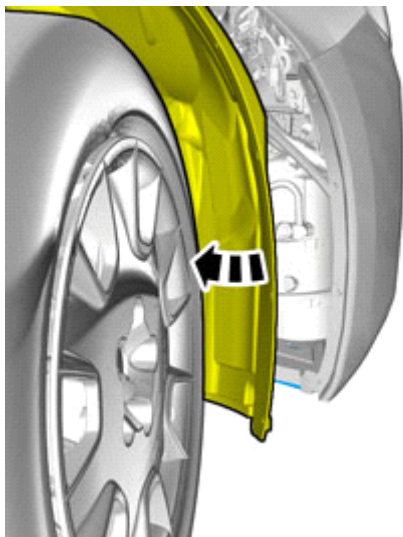
30



Remove the screws.

IMG-341917

31



Fold the wing liner to one side.

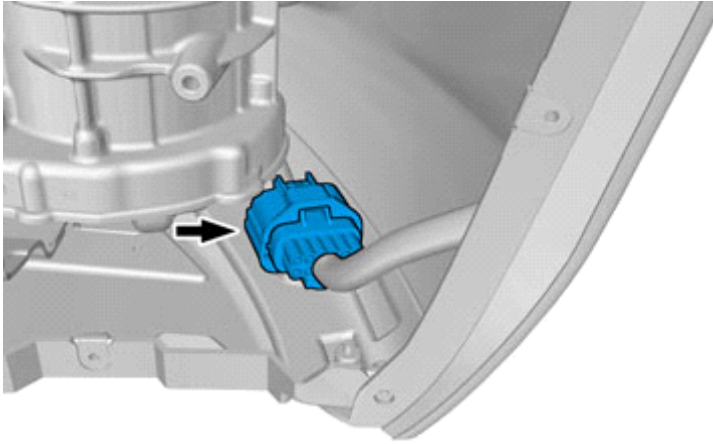
IMG-341918



Installation instructions, accessories

Volvo Car Corporation Gothenburg, Sweden

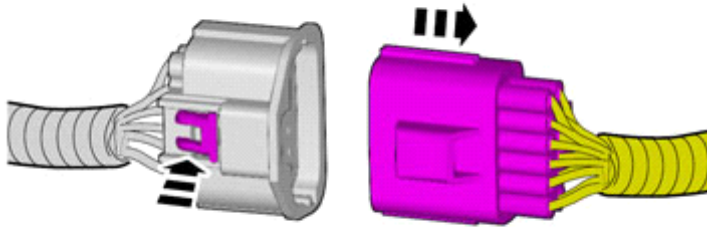
32



Locate the connector.

IMG-378274

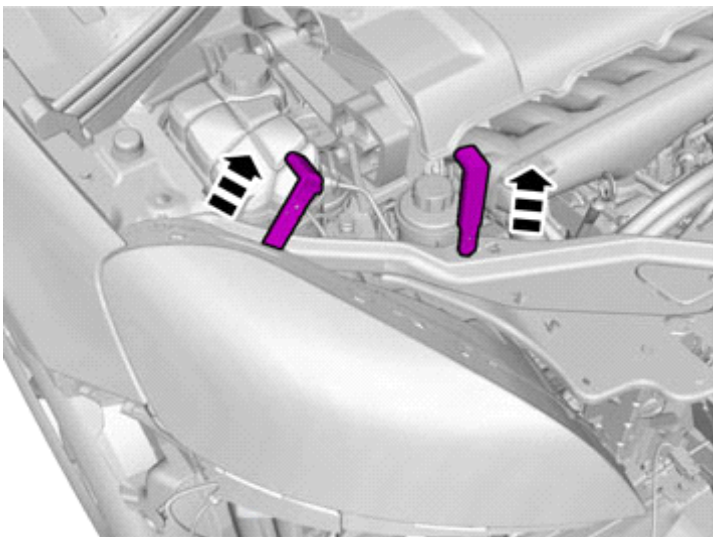
33



1. Depress the locking device.
2. Disconnect the connector.

IMG-378285

34



RHD: The procedure is carried out on the opposite side.

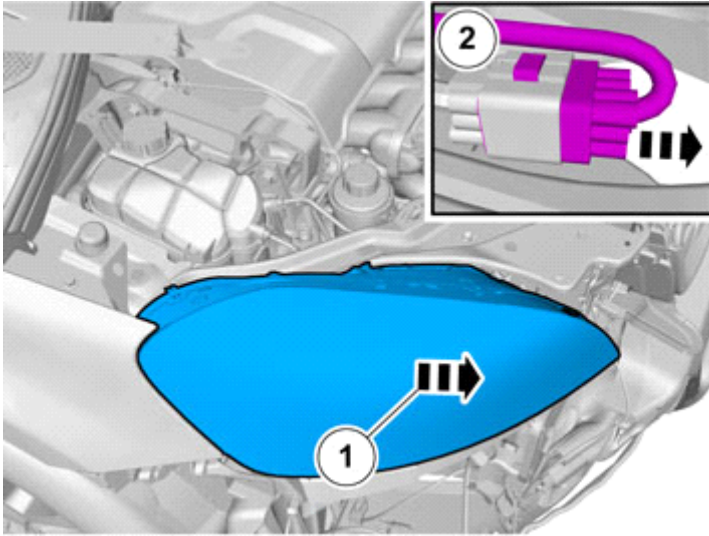
IMG-307687



Installation instructions, accessories

Volvo Car Corporation Gothenburg, Sweden

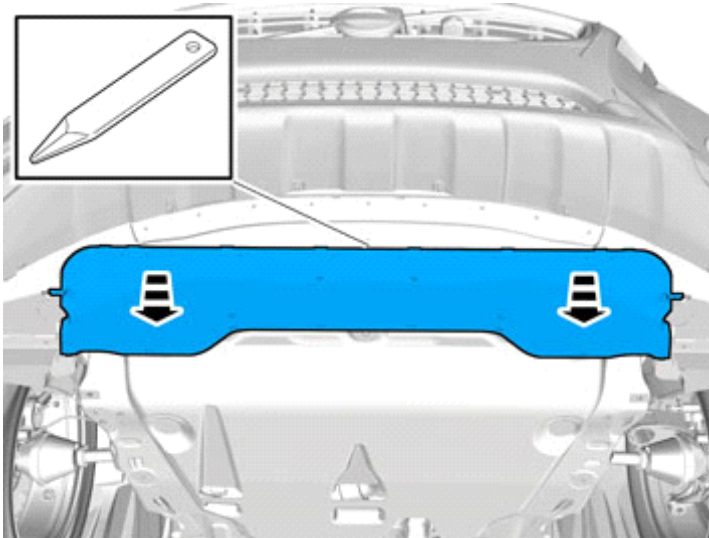
35



IMG-307688

RHD: The procedure is carried out on the opposite side.

36



IMG-341924

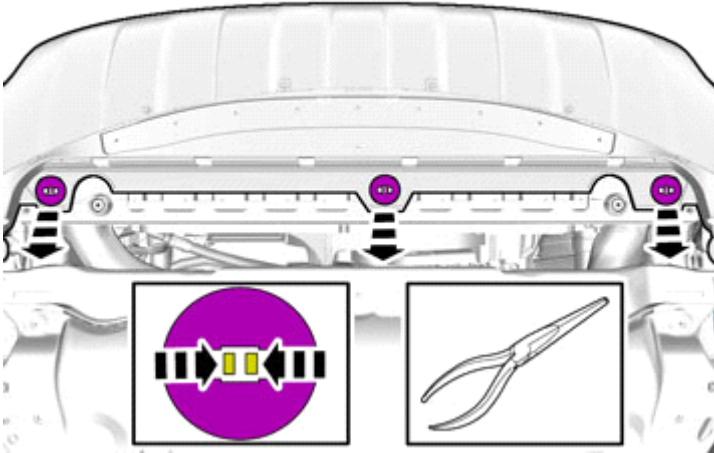


Installation instructions, accessories

Volvo Car Corporation Gothenburg, Sweden

37

Remove the clips.

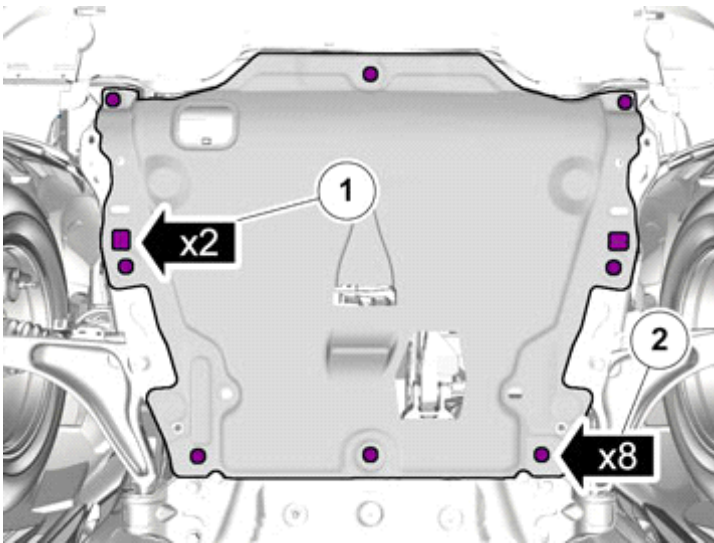


IMG-341927

38

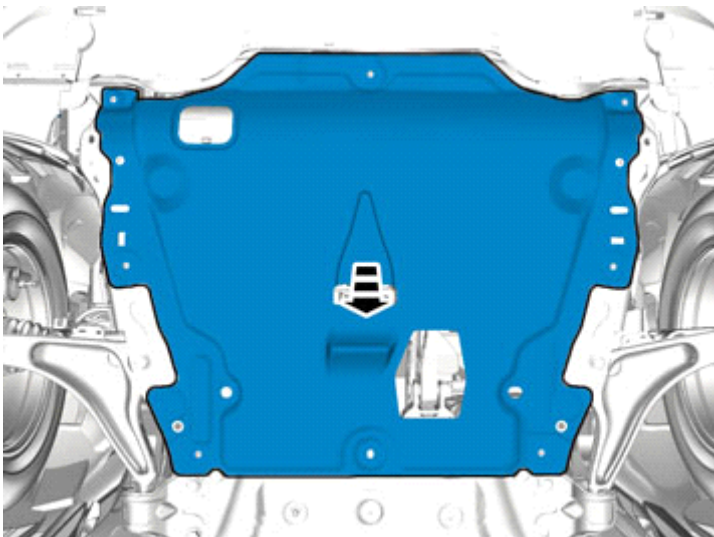
Remove the clips.

Remove the screws.



IMG-341931

39



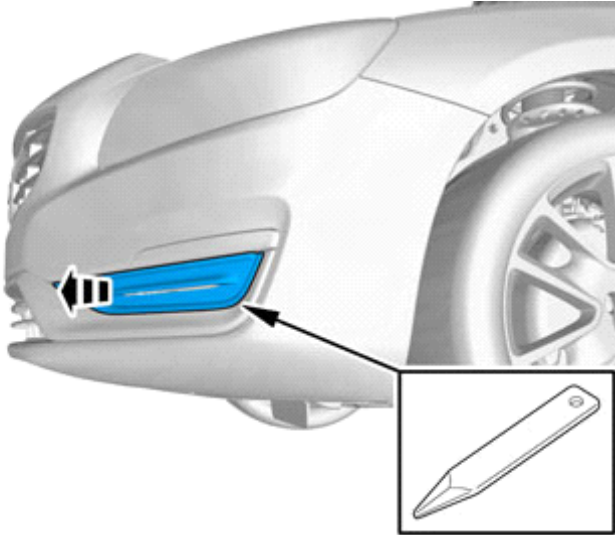
IMG-341932



Installation instructions, accessories

Volvo Car Corporation Gothenburg, Sweden

40

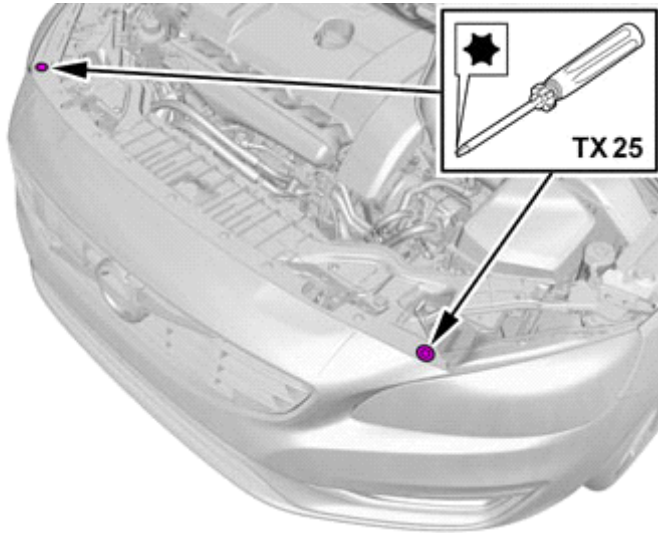


IMG-378560

Repeat on the other side.

The part is not to be reused.

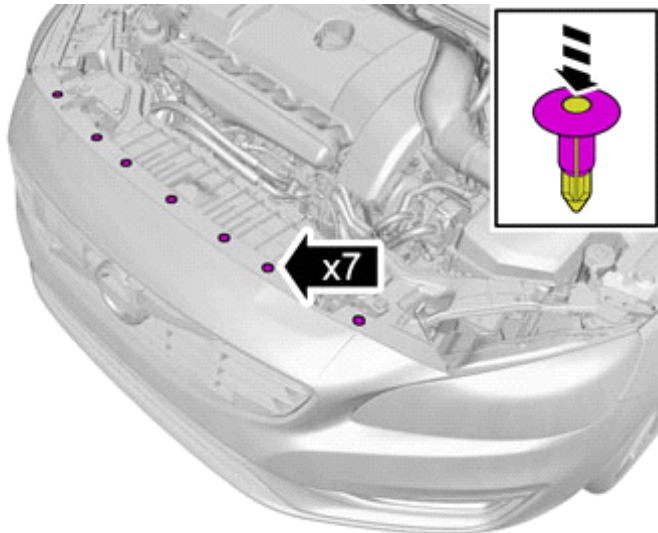
41



IMG-378108

Remove the screws.

42



IMG-378111

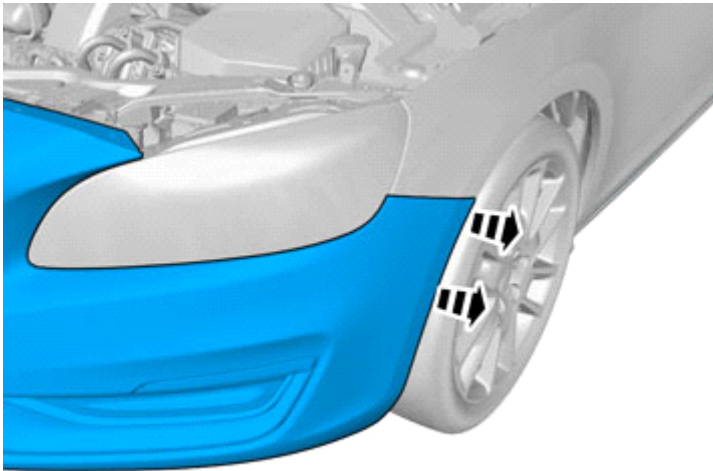
Remove the clips.



Installation instructions, accessories

Volvo Car Corporation Gothenburg, Sweden

43



Repeat on the other side.

IMG-378561

44



Caution!

Place the Bumper Cover on a suitable surface.

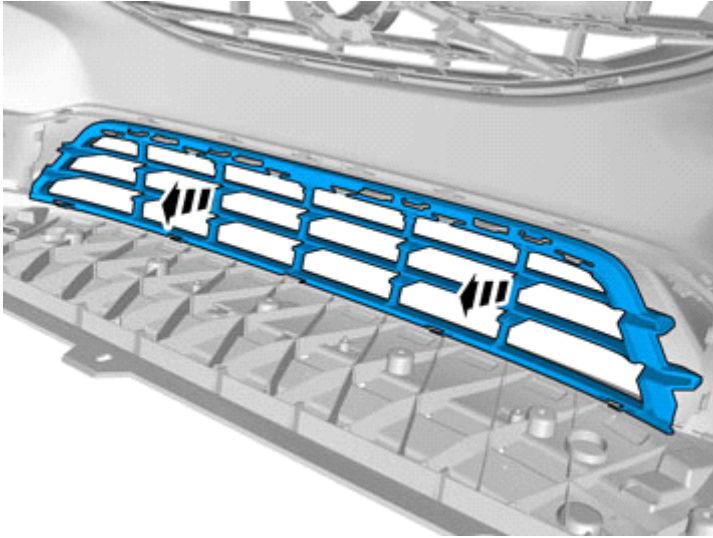
IMG-378577



Installation instructions, accessories

Volvo Car Corporation Gothenburg, Sweden

45

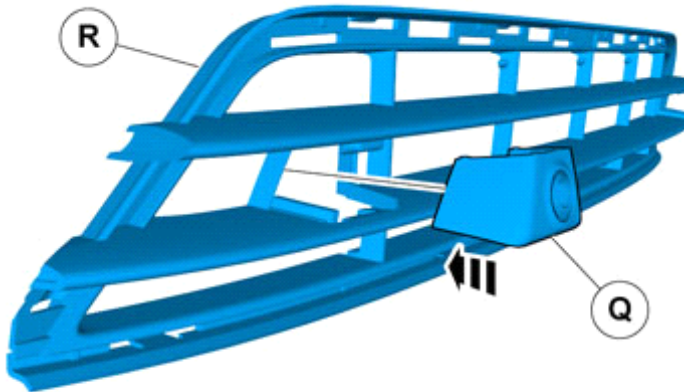


IMG-378579

The part is not to be reused.

Accessory installation

46



IMG-378581

Repeat on the other side.

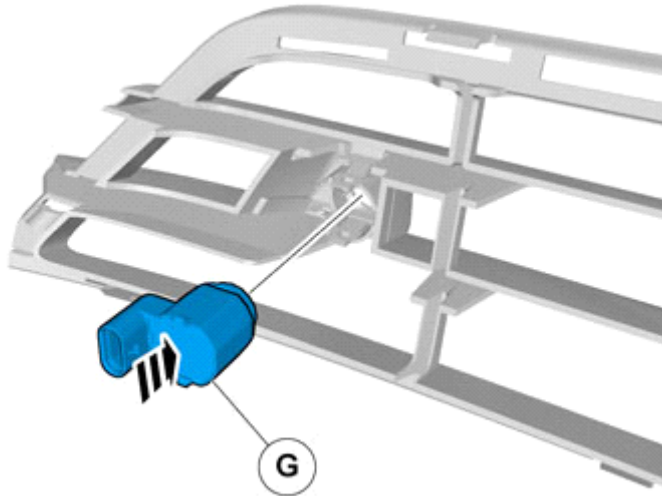


Installation instructions, accessories

Volvo Car Corporation Gothenburg, Sweden

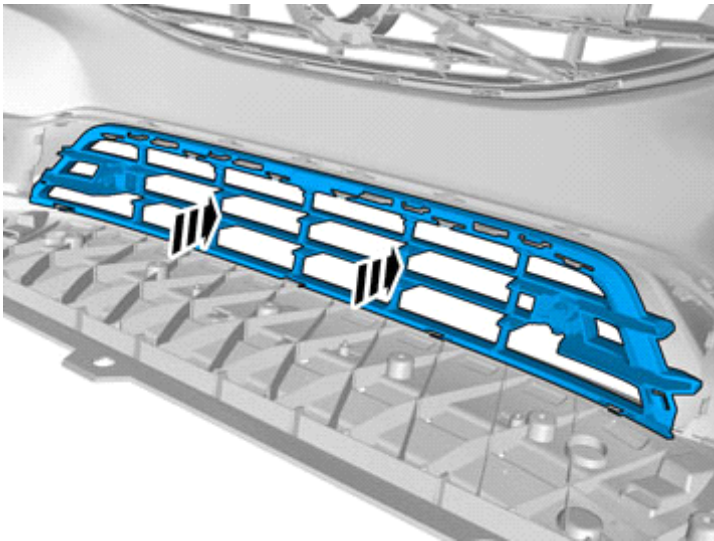
47

Repeat on the other side.



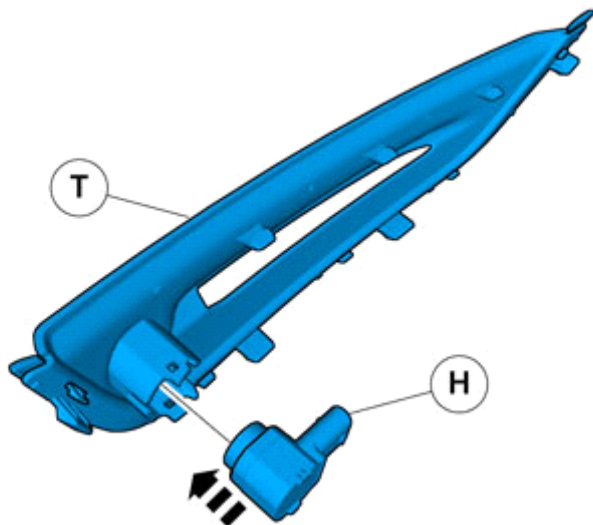
IMG-378583

48



IMG-378584

49



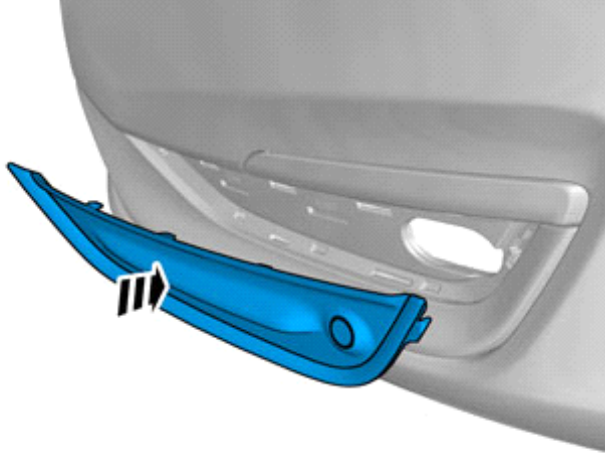
IMG-378590



Installation instructions, accessories

Volvo Car Corporation Gothenburg, Sweden

50

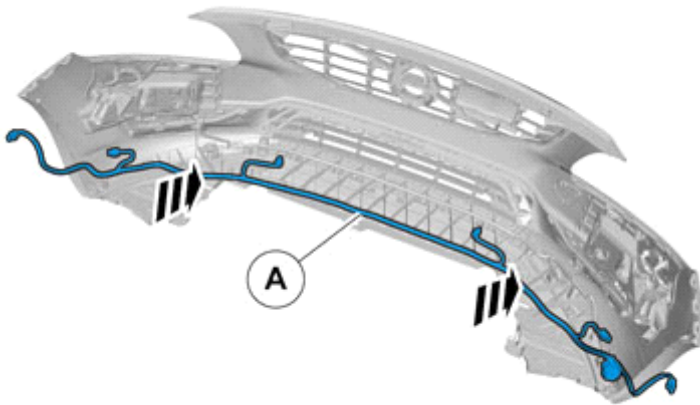


Repeat on the other side.

IMG-378591

51

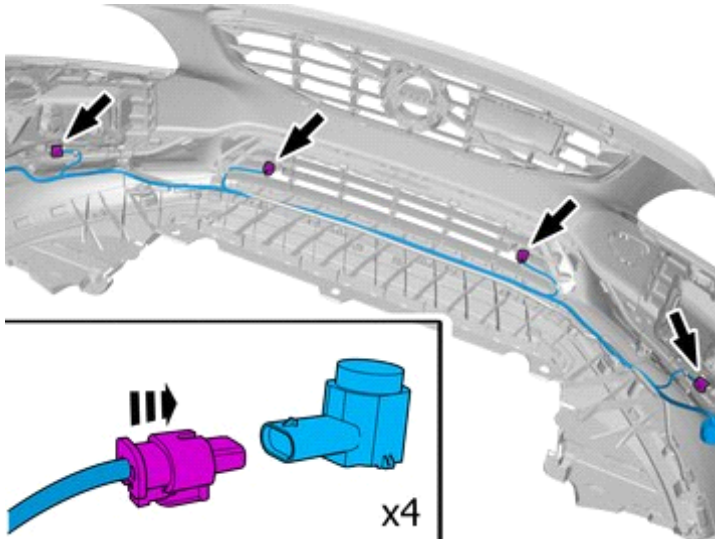
RHD: The cable harness is positioned mirrored.



IMG-378592

52

Connect the connectors.



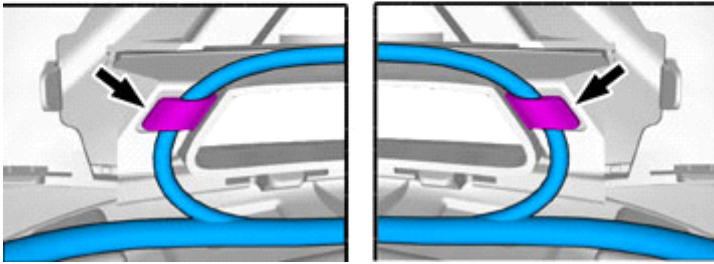
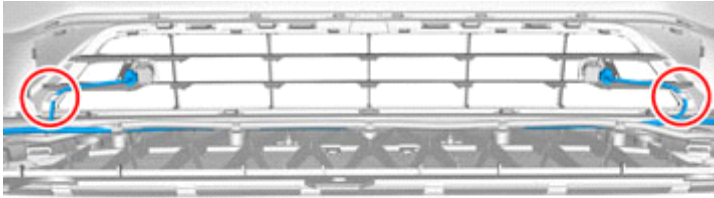
IMG-378593



Installation instructions, accessories

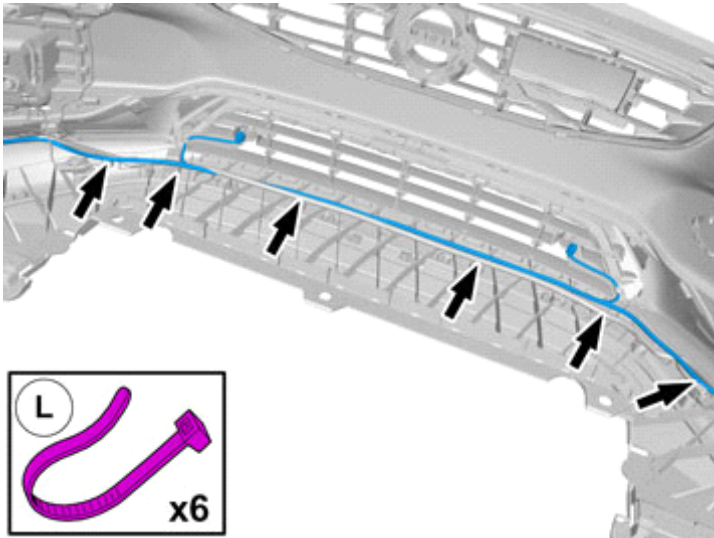
Volvo Car Corporation Gothenburg, Sweden

53



IMG-378598

54



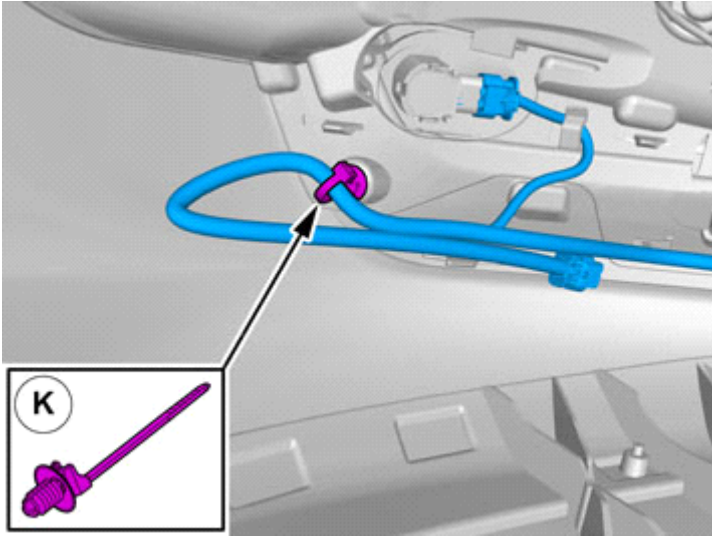
IMG-378596



Installation instructions, accessories

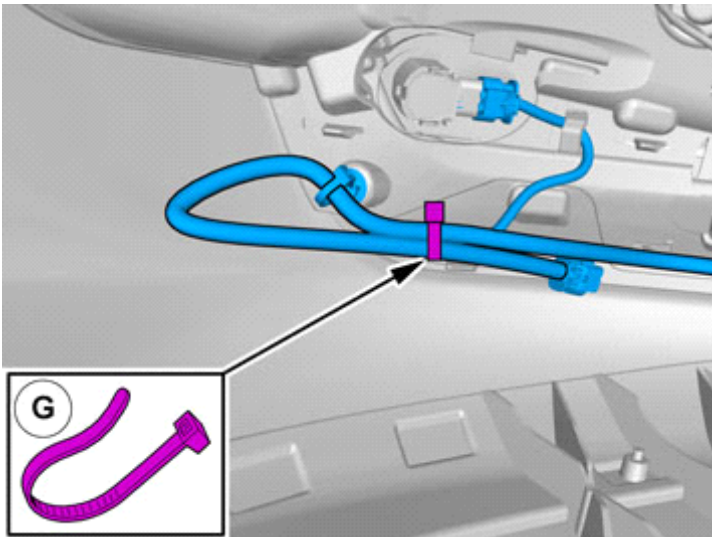
Volvo Car Corporation Gothenburg, Sweden

55



IMG-378599

56



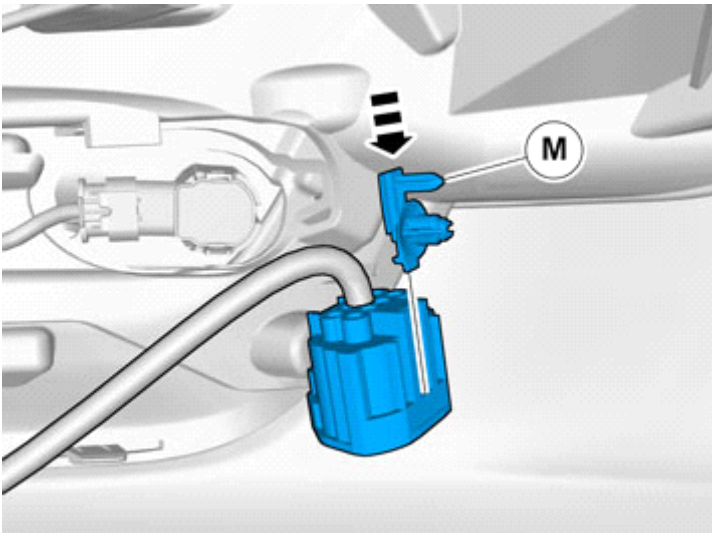
IMG-378601

Attach the connector to the wiring harness.

The connector is not to be used.

Repeat on the other side.

57



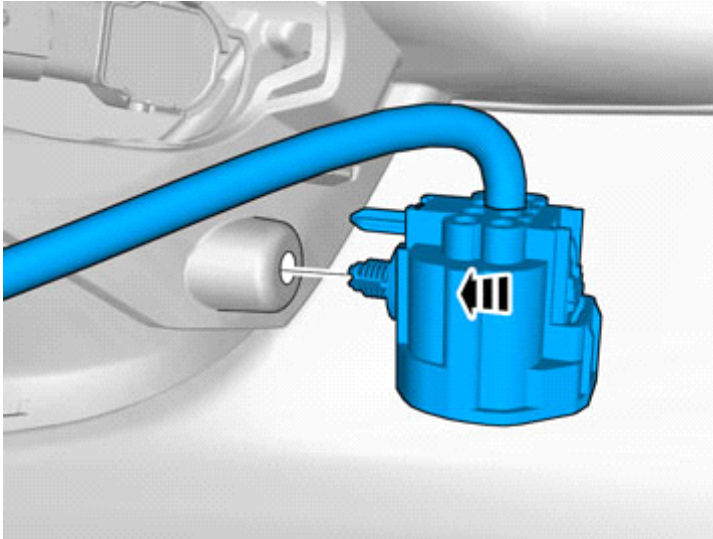
IMG-378602



Installation instructions, accessories

Volvo Car Corporation Gothenburg, Sweden

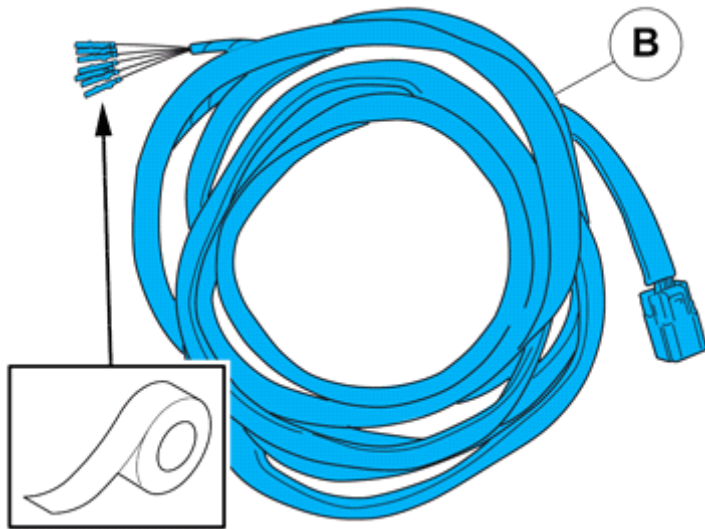
58



IMG-378603

Left hand drive vehicles

59



IMG-373258

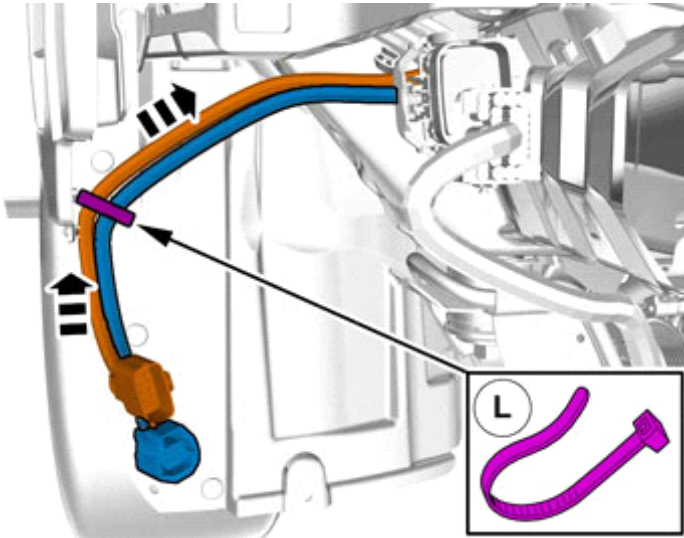
Use: , Electrical tape



Installation instructions, accessories

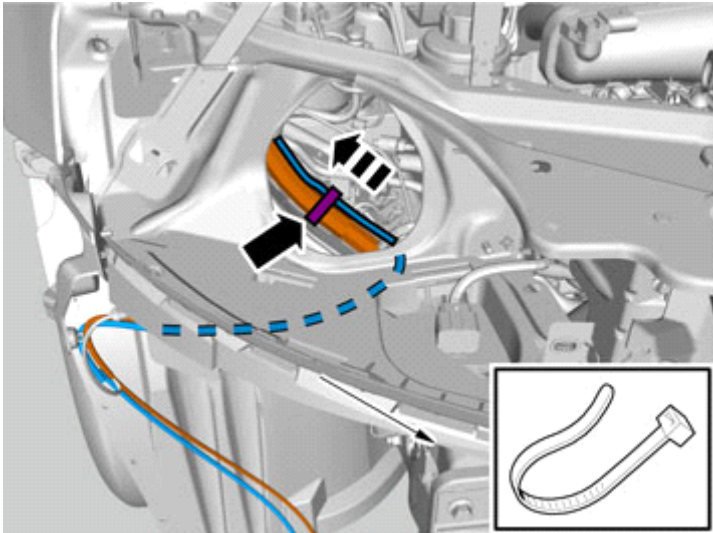
Volvo Car Corporation Gothenburg, Sweden

60



IMG-378253

61



IMG-307882

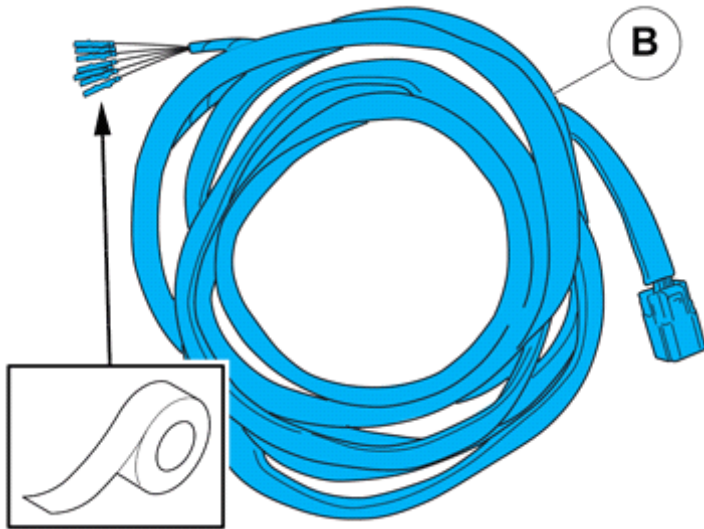
Right-hand drive vehicles



Installation instructions, accessories

Volvo Car Corporation Gothenburg, Sweden

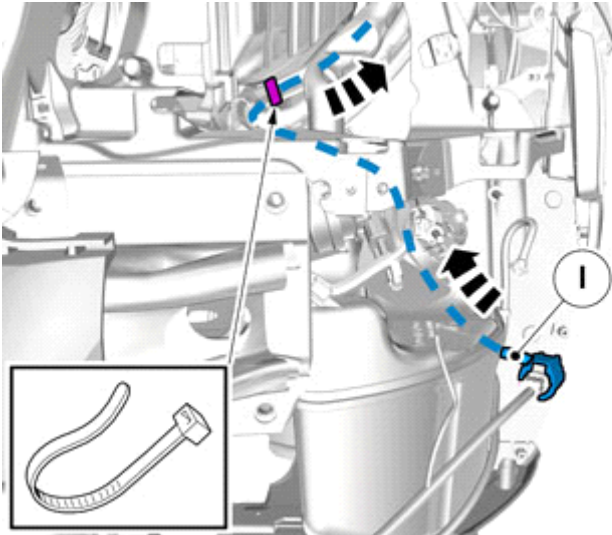
62



Use: , Electrical tape

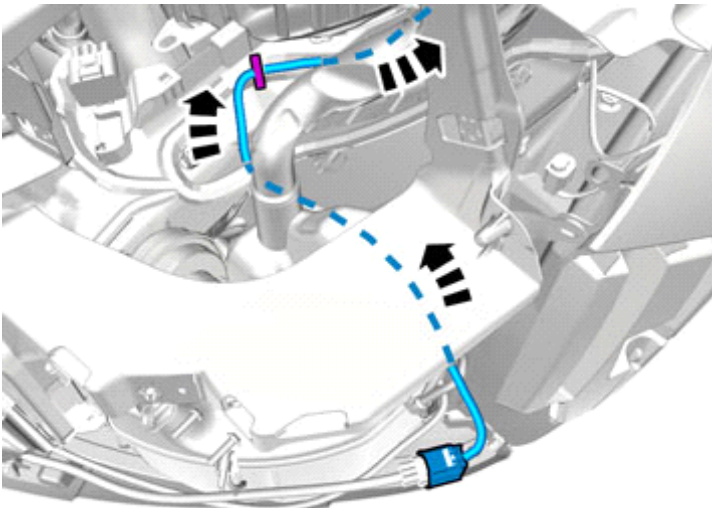
IMG-373258

63



IMG-341962

64



IMG-341963

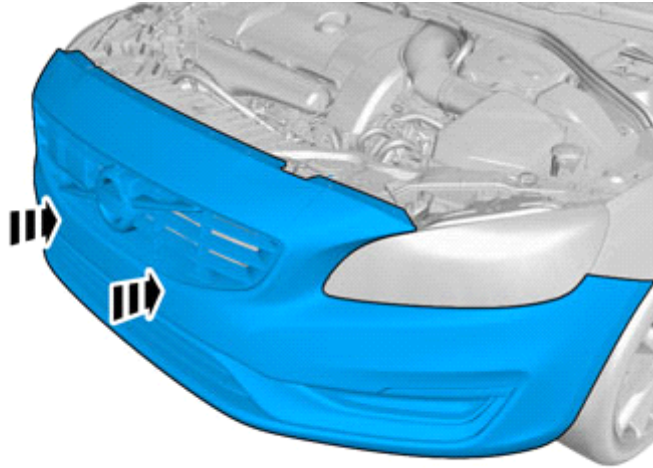


Installation instructions, accessories

Volvo Car Corporation Gothenburg, Sweden

All vehicles

65

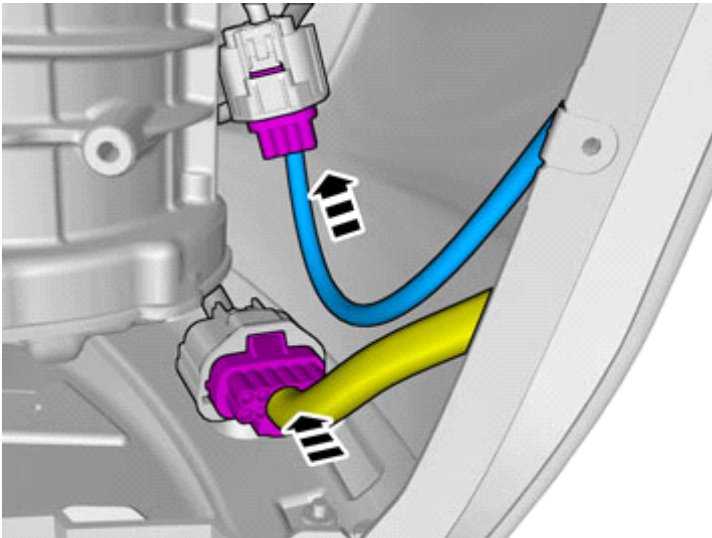


Place the Bumper Cover in position for installation.

IMG-378609

Left hand drive vehicles

66



Connect the connectors.

IMG-378276

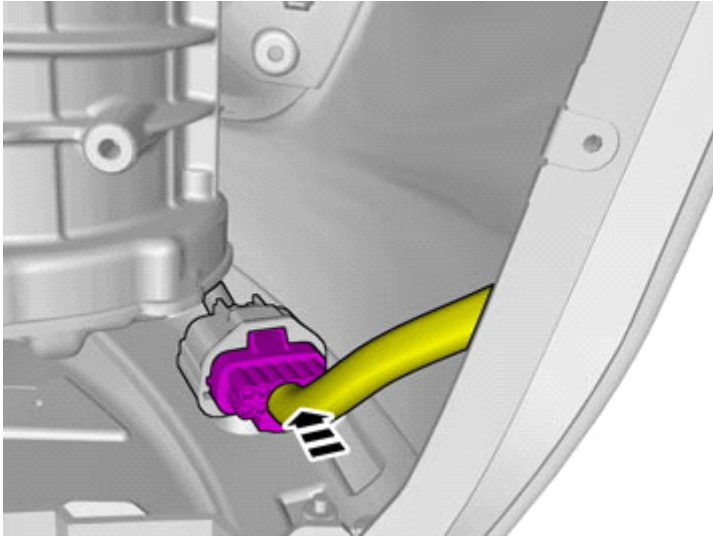
Right-hand drive vehicles



Installation instructions, accessories

Volvo Car Corporation Gothenburg, Sweden

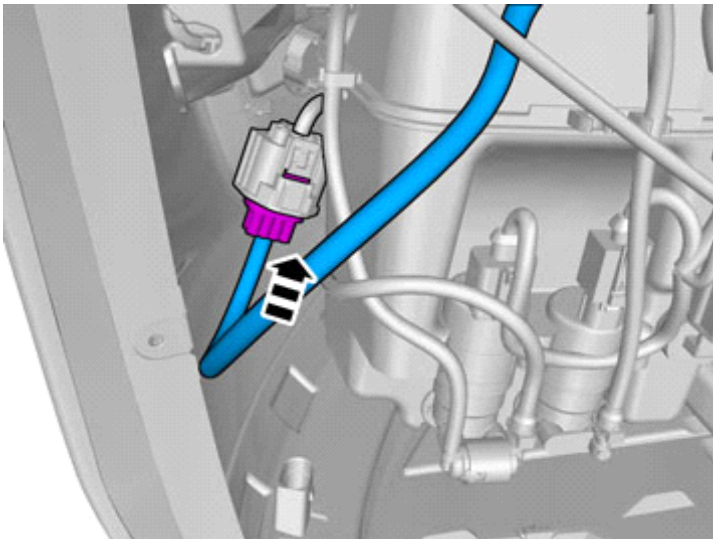
67



IMG-378280

Connect the connector.

68



IMG-378611

Connect the connector.

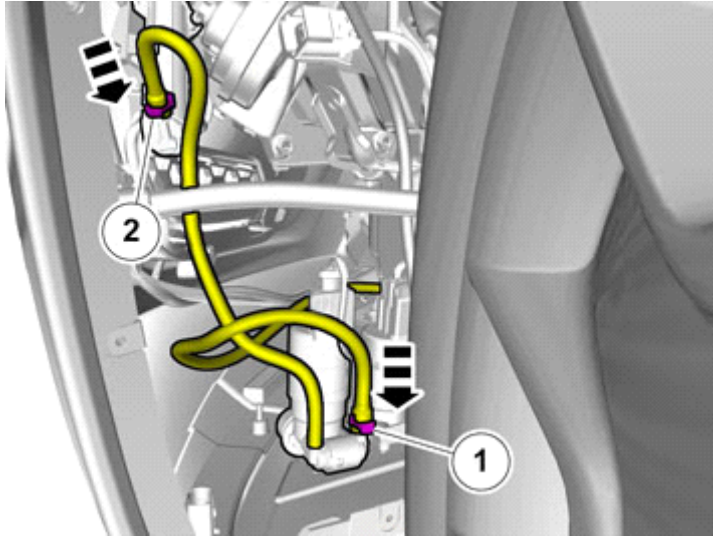
Vehicles with headlamp washers



Installation instructions, accessories

Volvo Car Corporation Gothenburg, Sweden

69

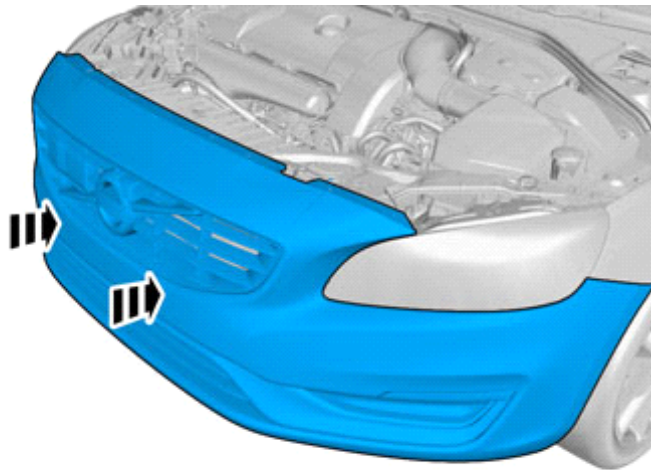


IMG-350323

Reinstall the removed parts in reverse order.

All vehicles

70



IMG-378609

Reinstall the bumper.

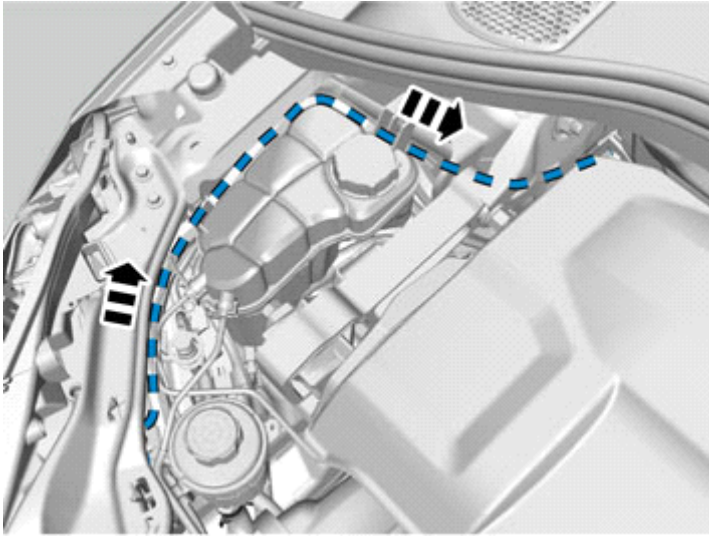
Left hand drive vehicles



Installation instructions, accessories

Volvo Car Corporation Gothenburg, Sweden

71



IMG-307909

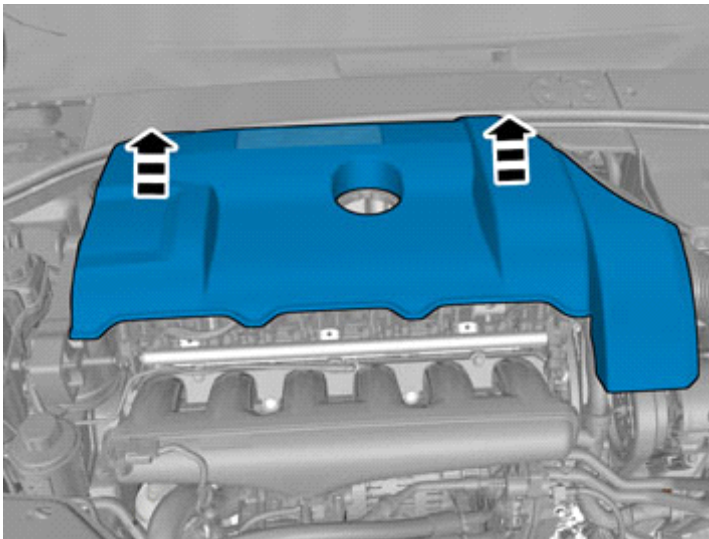
Caution!

Make sure to locate the wiring in such a way that any damage caused by heat or excessive wear is avoided.

Route the cable harness to the existing cable harness.

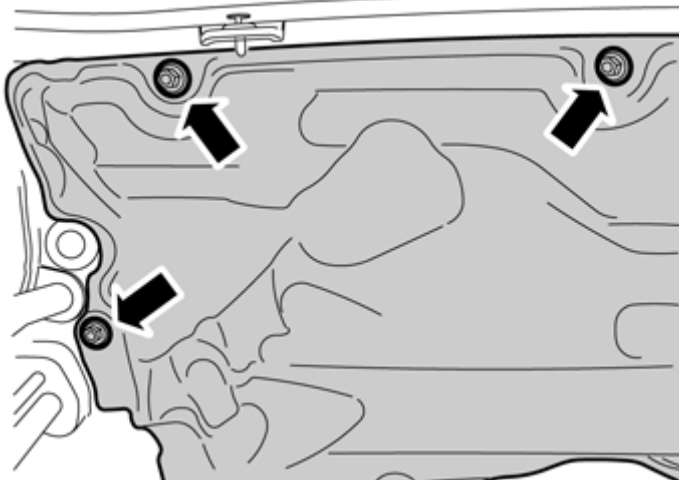
Reinstall the headlamp.

72



IMG-273585

73



IMG-273586

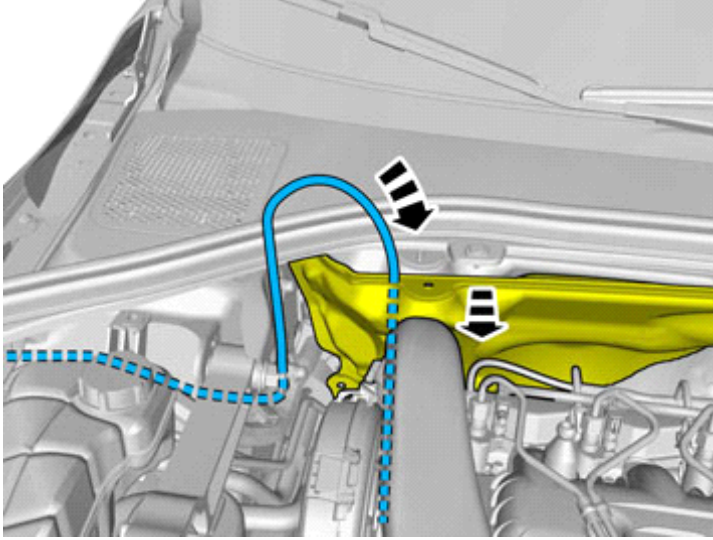
Remove the nuts.



Installation instructions, accessories

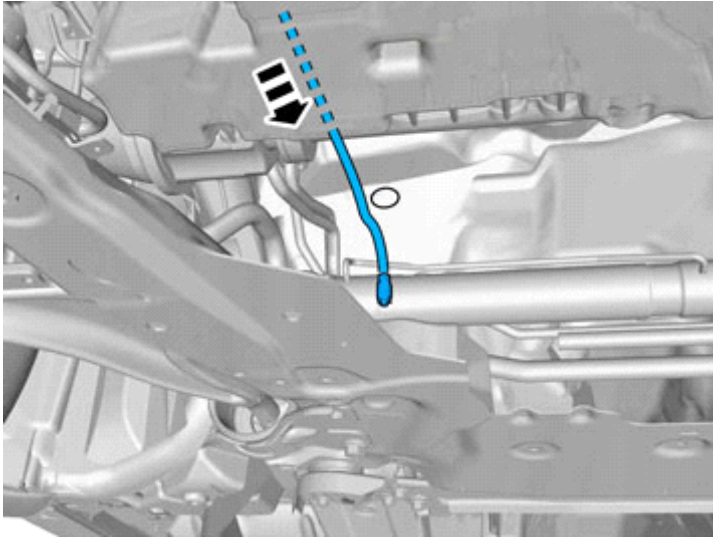
Volvo Car Corporation Gothenburg, Sweden

74



IMG-378517

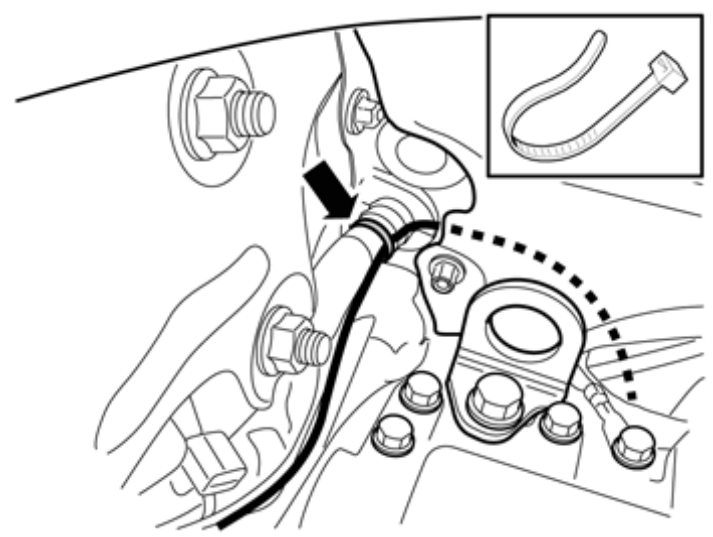
75



IMG-378516

Pull the wiring through.

76



IMG-273588

Install the cable.

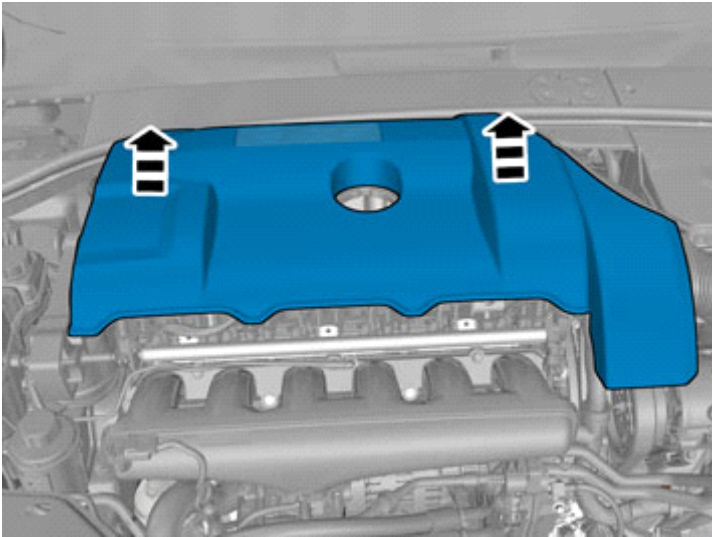


Installation instructions, accessories

Volvo Car Corporation Gothenburg, Sweden

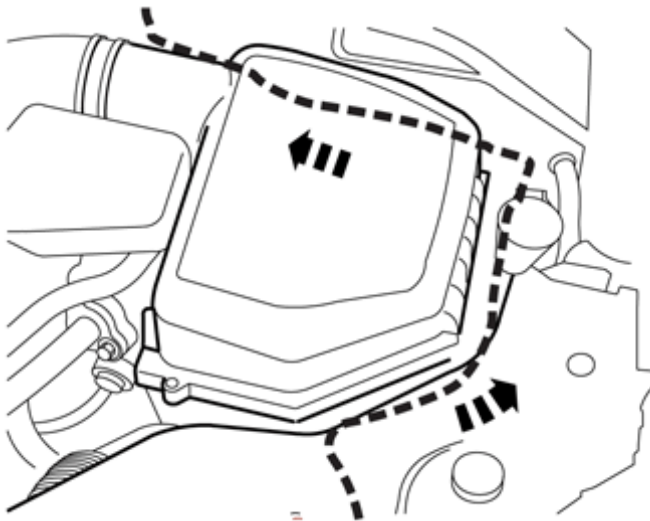
Right-hand drive vehicles

77



IMG-273585

78



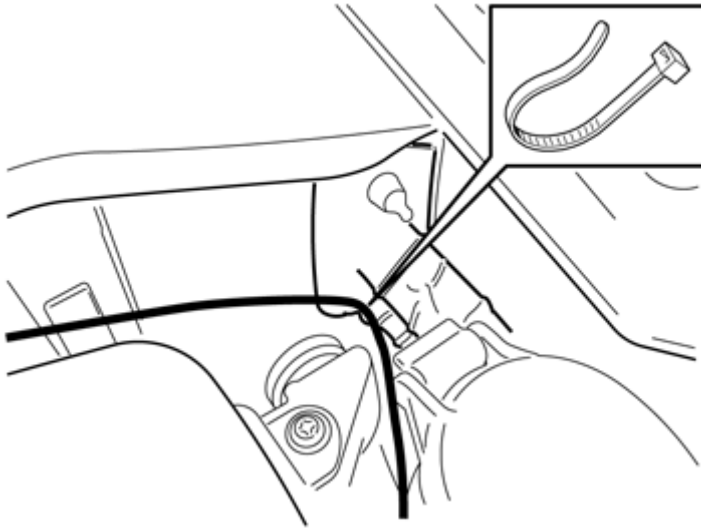
IMG-307910



Installation instructions, accessories

Volvo Car Corporation Gothenburg, Sweden

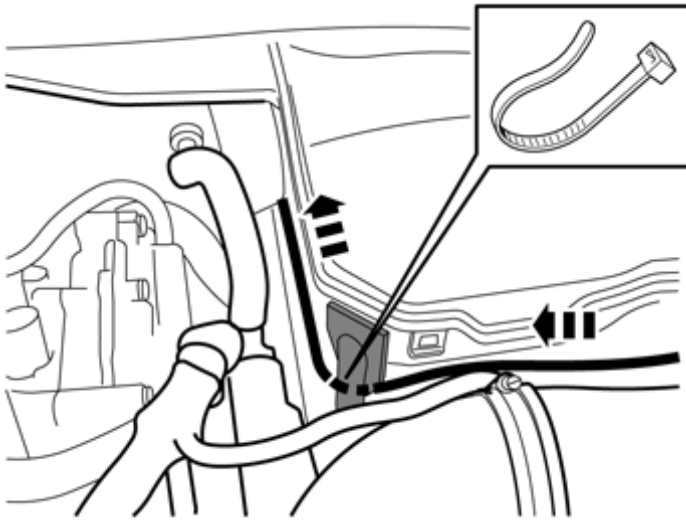
79



IMG-307911

Install the cable.

80

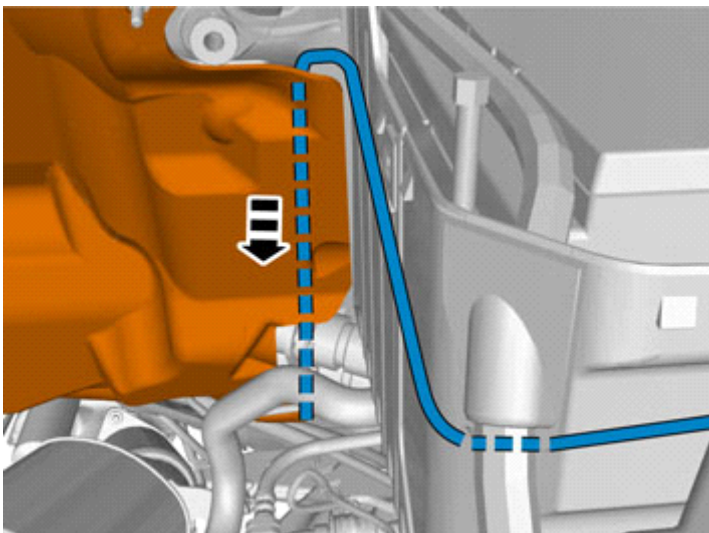


IMG-307912

Caution!

Make sure to locate the wiring in such a way that any damage caused by heat or excessive wear is avoided.

81



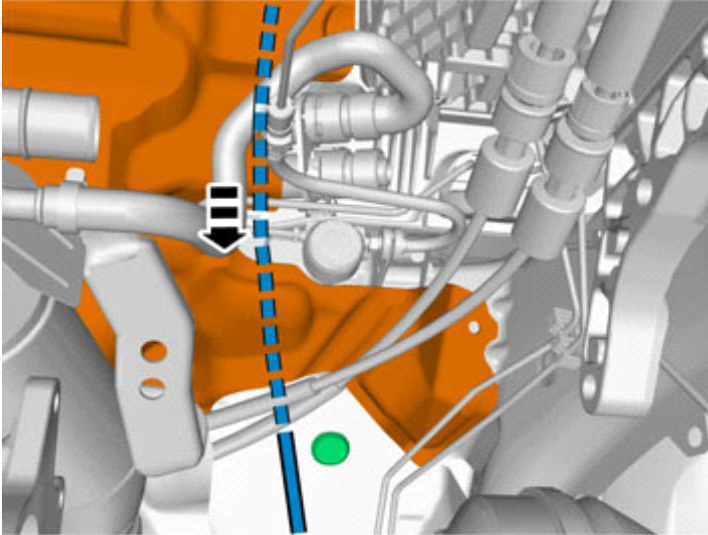
IMG-307913



Installation instructions, accessories

Volvo Car Corporation Gothenburg, Sweden

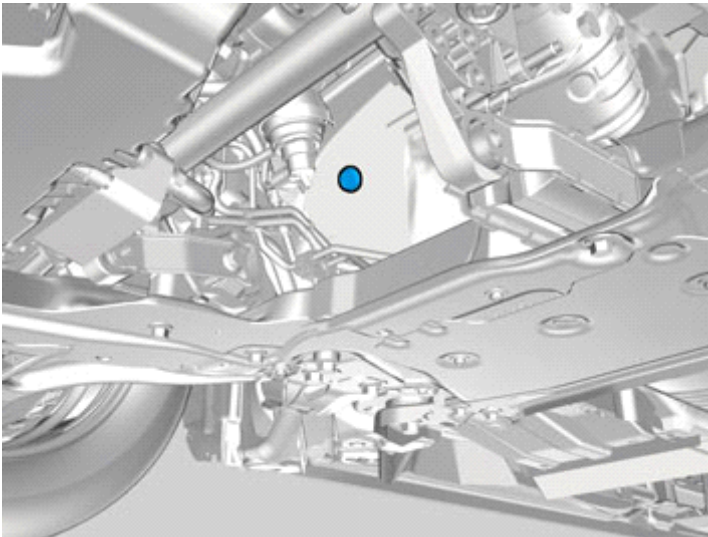
82



IMG-307914

All vehicles

83



IMG-345879

Note!
Orientation view

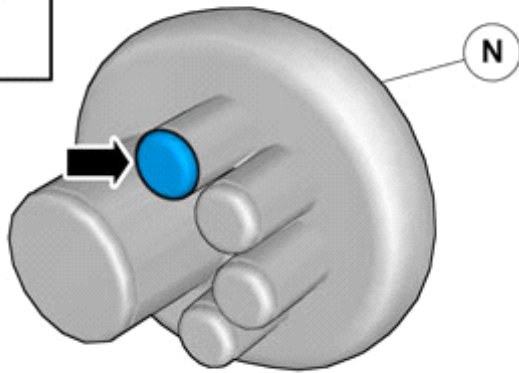
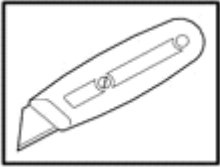
Note!
On some markets the rubber grommet may be covered by the heat shield.



Installation instructions, accessories

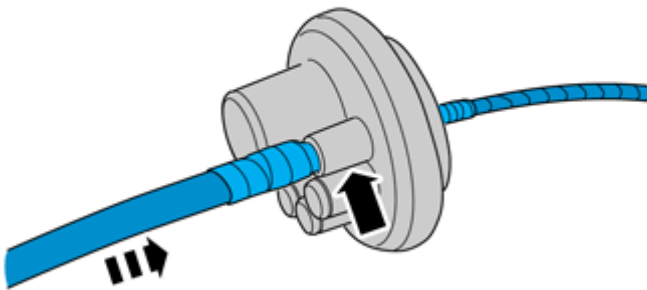
Volvo Car Corporation Gothenburg, Sweden

84



IMG-372722

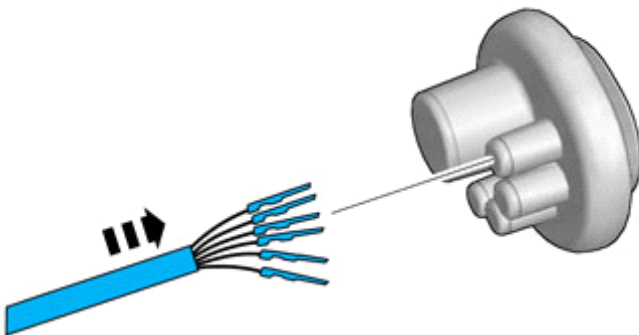
85



IMG-373255

86

Pull the wiring through.



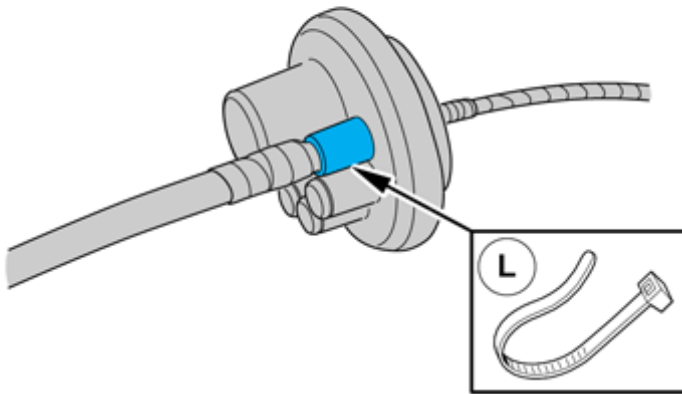
IMG-377675



Installation instructions, accessories

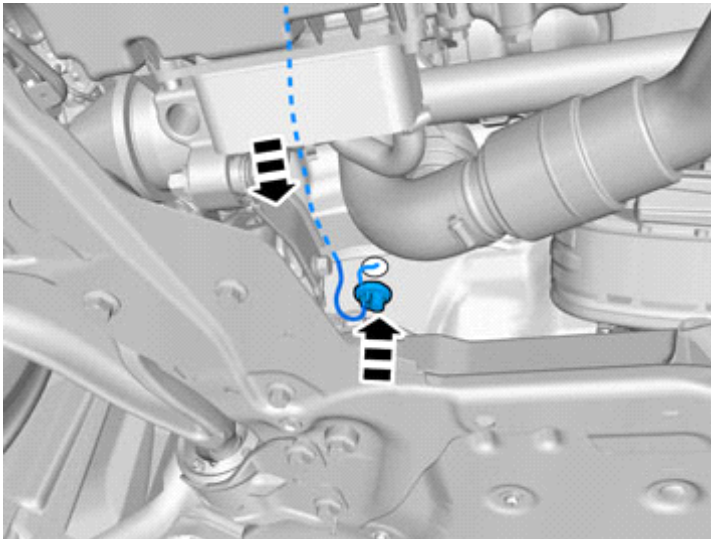
Volvo Car Corporation Gothenburg, Sweden

87



IMG-373254

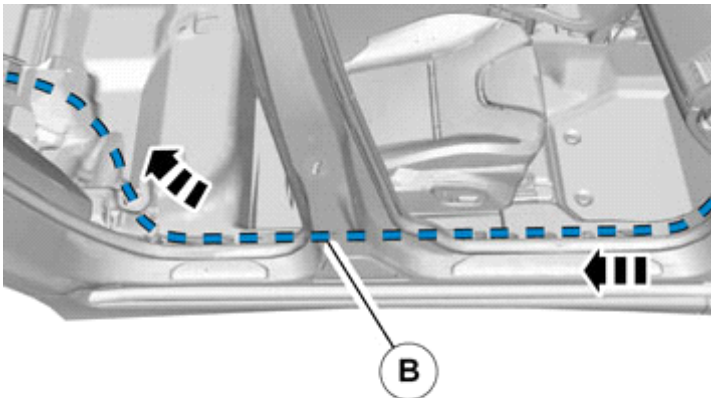
88



IMG-340544

Insert the cable in to the passenger compartment, adjust the cable length out into the engine compartment and secure the rubber grommet.

89



IMG-377674

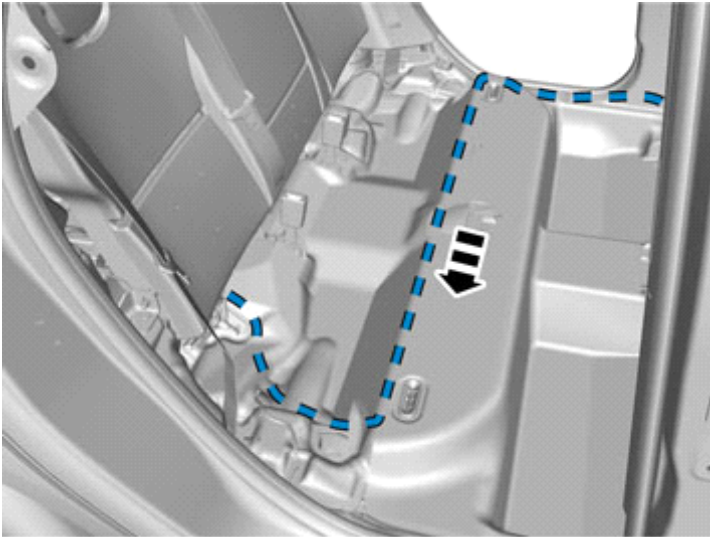


Installation instructions, accessories

Volvo Car Corporation Gothenburg, Sweden

Right-hand drive vehicles

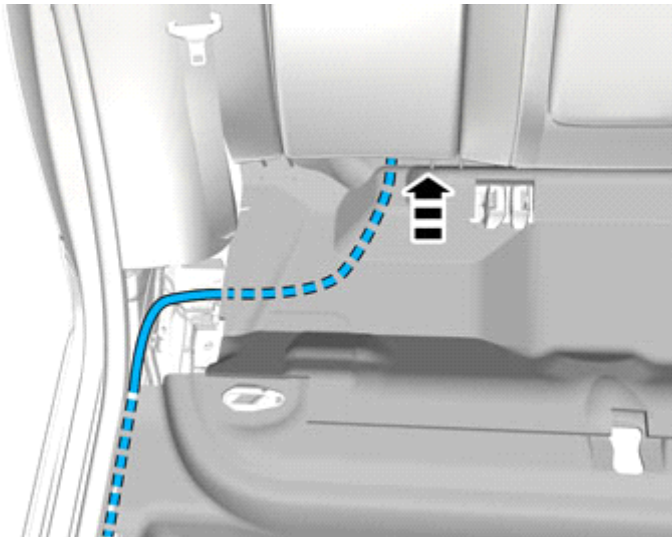
90



IMG-308083

All vehicles

91



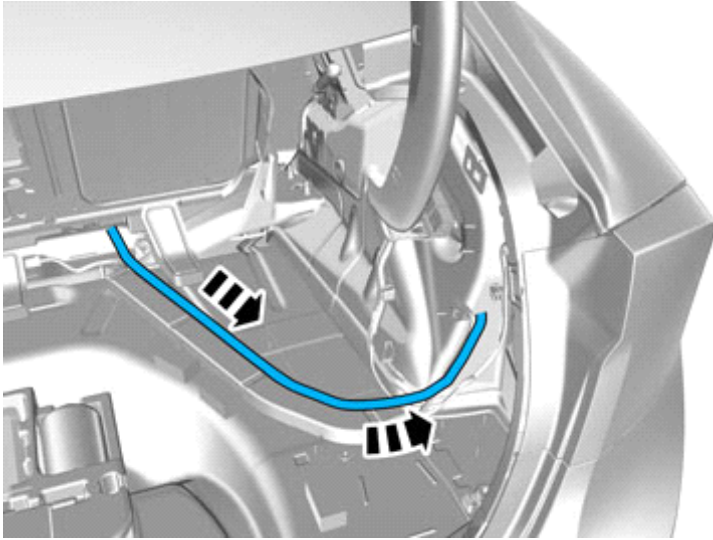
IMG-378628



Installation instructions, accessories

Volvo Car Corporation Gothenburg, Sweden

92

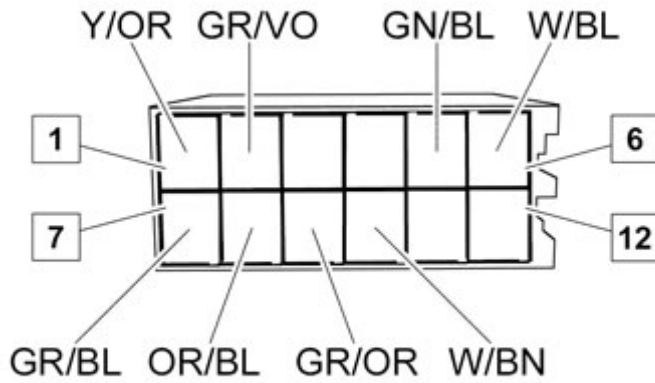


IMG-341976

Left hand drive vehicles

93

Connect the cable harness terminals in the connector as follows.



IMG-361341

Right-hand drive vehicles

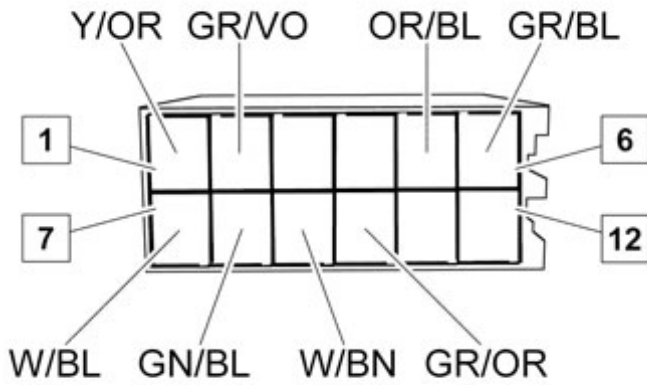


Installation instructions, accessories

Volvo Car Corporation Gothenburg, Sweden

94

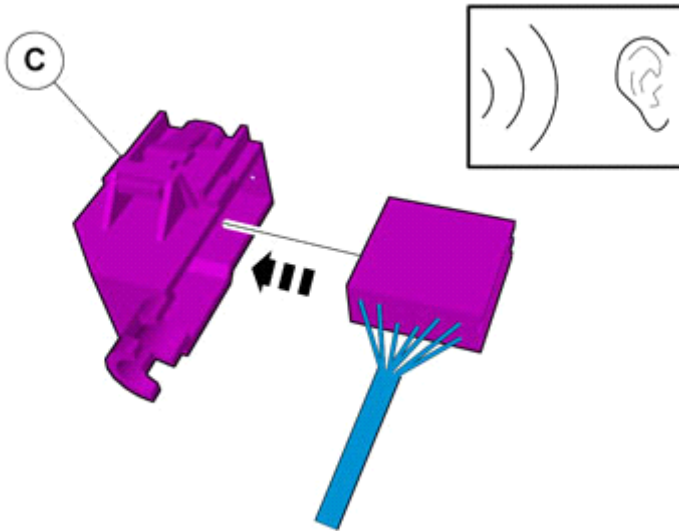
Connect the cable harness terminals in the connector as follows.



IMG-361342

All vehicles

95



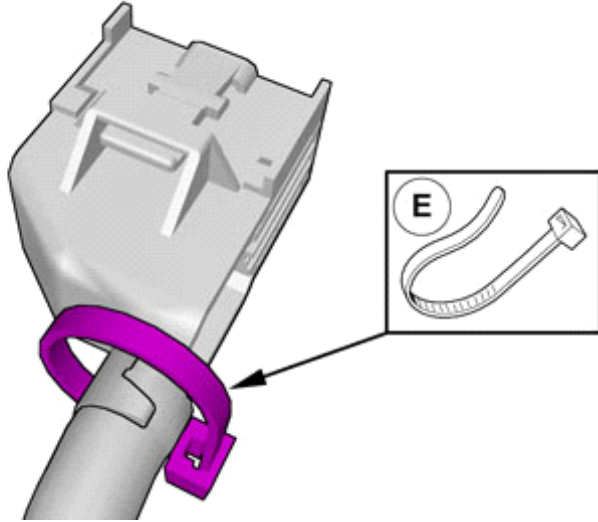
IMG-361376



Installation instructions, accessories

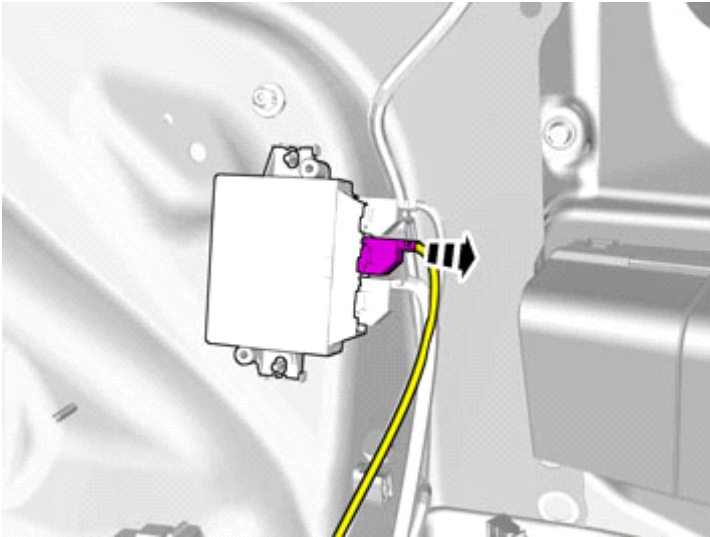
Volvo Car Corporation Gothenburg, Sweden

96



IMG-361377

97



IMG-378621

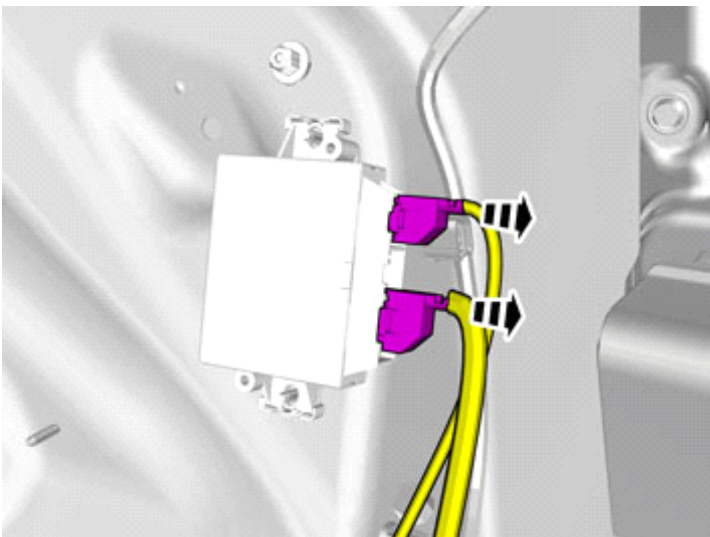
Disconnect the connector, if applicable.

Attach the connector to the wiring harness.

Use: , Electrical tape

The connector is not to be used.

98



IMG-378620

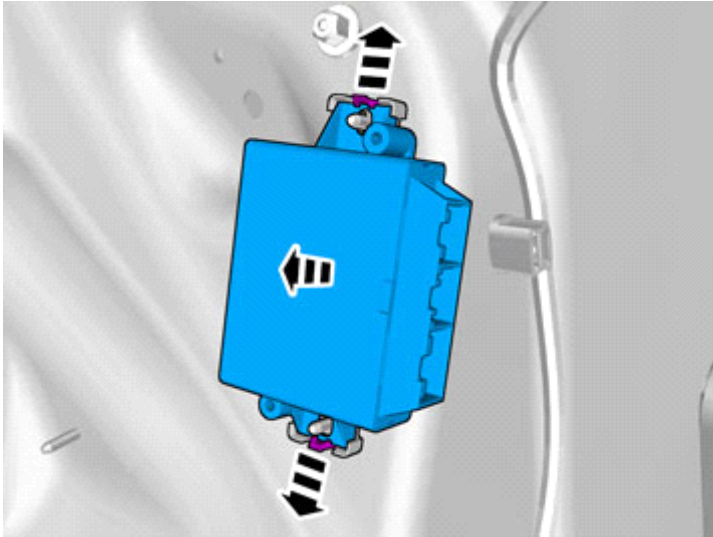
Disconnect the connectors.



Installation instructions, accessories

Volvo Car Corporation Gothenburg, Sweden

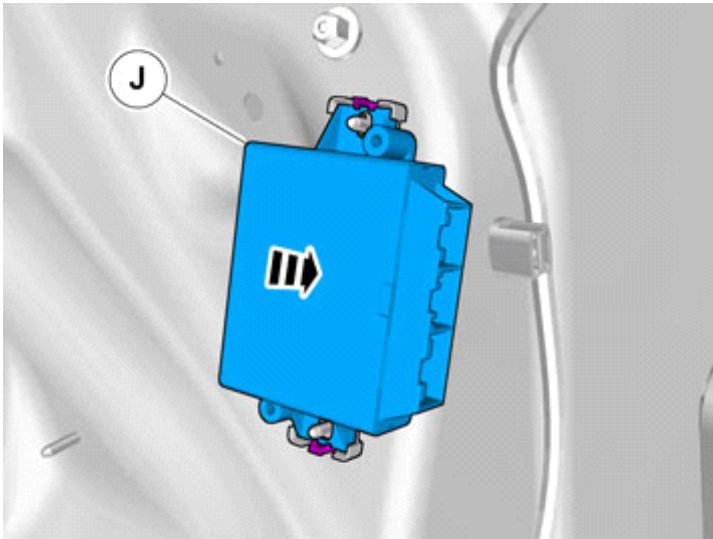
99



IMG-378617

The part is not to be reused.

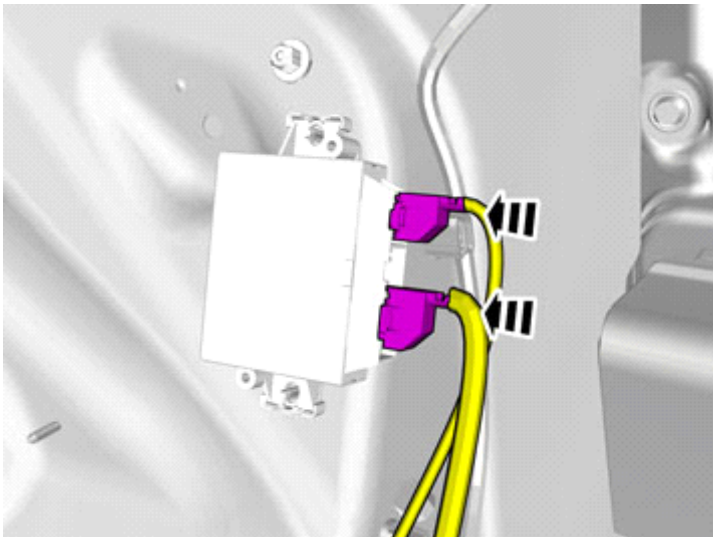
100



IMG-378616

Install component that comes with the accessory kit.

101



IMG-378619

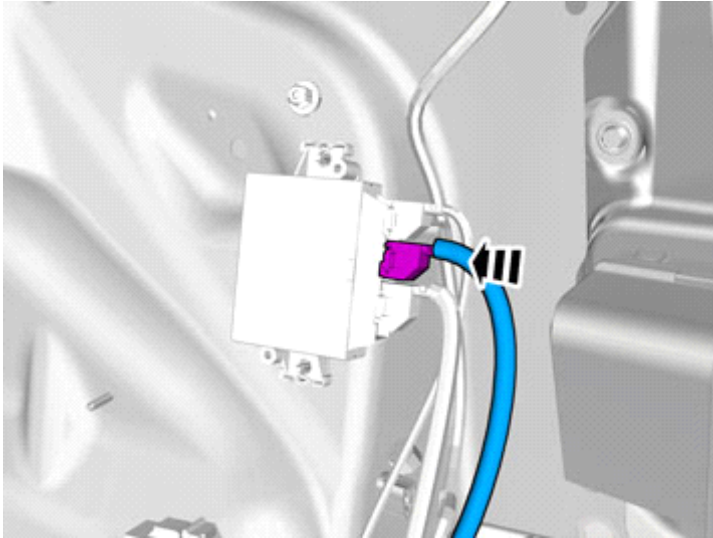
Connect the connectors.



Installation instructions, accessories

Volvo Car Corporation Gothenburg, Sweden

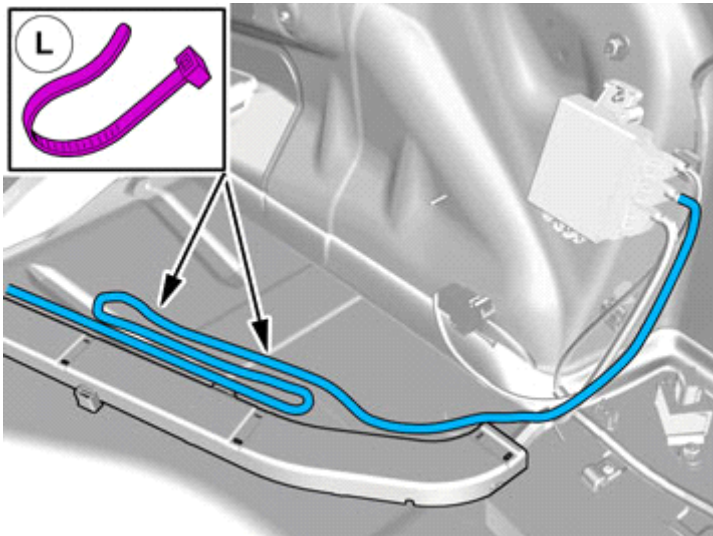
102



IMG-378618

Connect the prerouted cable.

103



IMG-378630

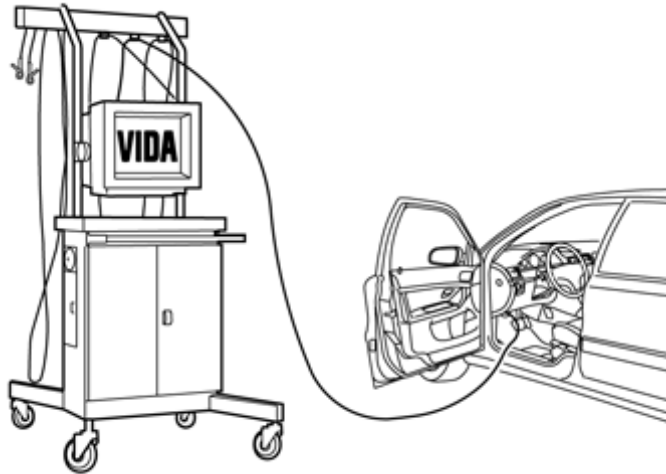
Note!
Extra cable length must be secured using cable ties.



Installation instructions, accessories

Volvo Car Corporation Gothenburg, Sweden

104



IMG-242268

Download software (application) for the accessory's function according to the service information in VIDA.

Order and download software according to: 31266964

105

Reinstall the removed parts in reverse order.

IMG-377070